



宁波赛耐比光电科技有限公司
NINGBO SNAPPY OPTOELECTRONICS CO., LTD

地址: 浙江省宁波市高新区聚贤街道剑兰路1228号 邮编: 315040
ADD: No.1228 Jianlan Road, National Hi-tech Park of Ningbo,
315040, Zhejiang, P.R. China
电话(TEL): 86-574-26266222 传真(FAX): 86-574-27902805
E-mail: sales@snappy.cn

www.snappy.cn

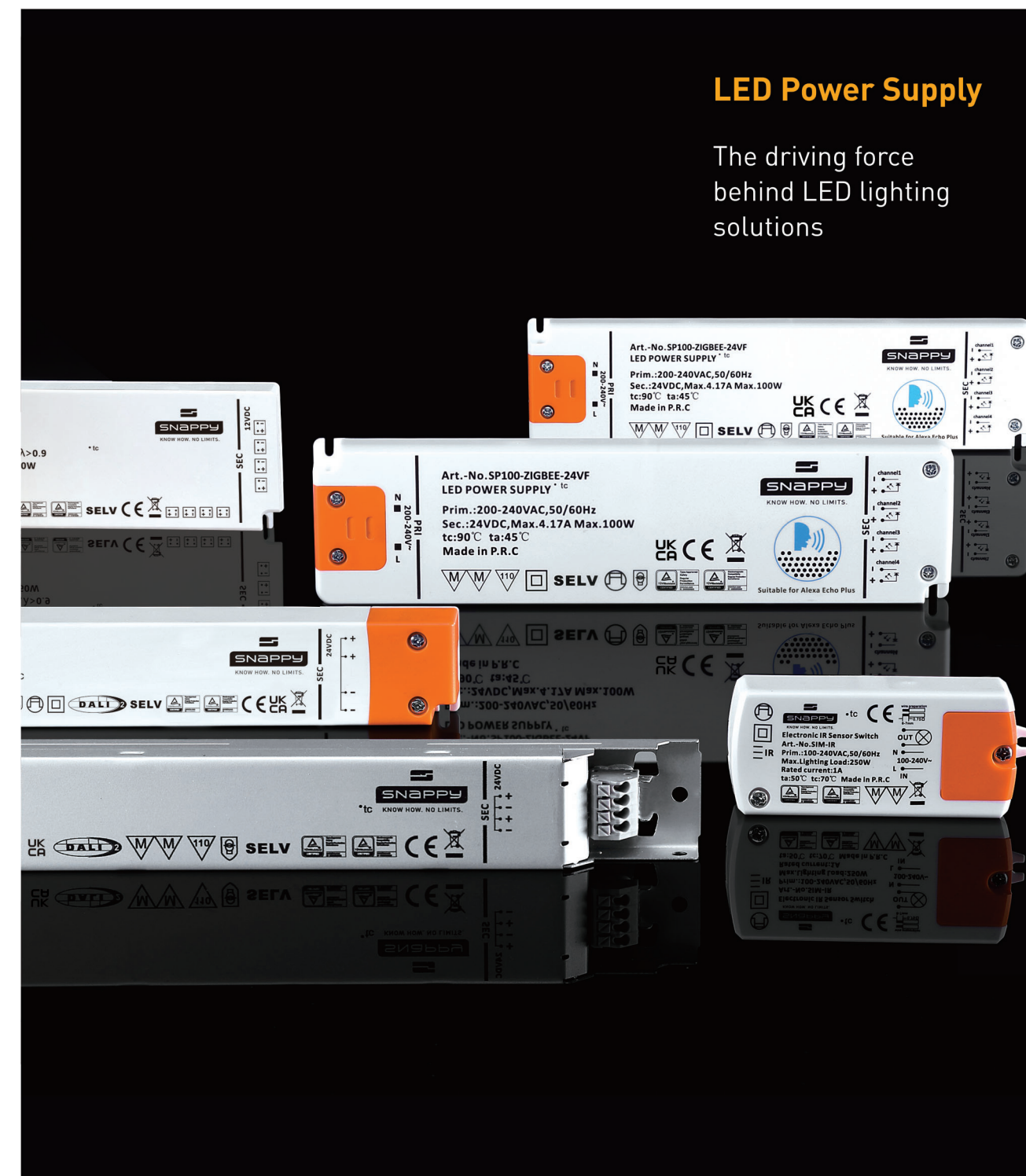


www.snappy.cn



LED Power Supply

The driving force
behind LED lighting
solutions



2023 NEW PRODUCTS

Welcome
to
SNAPPY

Our New Product Lines

 **HELENA** Super Slim

 **POSEIDON** Waterproof

 **HERKULES** Strong

 **PROMETHEUS** Regular Human, Vision

 **HELIOS** Dimmable

 **MARATHON** Long Life



Important

	Federal Communications Commission
	UL mark for Canada and US
	CE mark of conformity
	The transformer complies with European Regulation, in general situation, could mount on or in furniture and cabinet
	Flammable marks
	International mark for independent converter
	International mark for protection II
SELV	International mark for transformers of converters (safety extra-low voltage)
	The surface temperature of the transformer or ballast shall not exceed 110°C under the condition of overload or short circuit.
	C-Tick Compliant
	US and Canada UL approved

Test standard for electronic control

EN 61347-1	General safety requirements
EN 61347-2-2	Safety requirements for step down converters for filament lamps
EN 61347-2-3	Safety requirements for electronic ballast
EN 61347-2-13	Particular requirements for d.c. or a.c. supplied electronic control gear for LED modules
EN 60929	Performance requirements for electronic ballast
EN 55015	Limits and methods of measurements of radio interference characteristics of lights
EN 61547	EMC immunity requirements for lighting purposes equipment
EN 61000-3-2	Limits for harmonic current emissions
EN 61000-3-3	Limitations of voltage fluctuations and flicker
FCC PART 15	Wireless Access interference measurement standards
UL 8750	LED Equipment for use in lighting products (Class 2)
UL 1310	Class 2 power units
EN 62493-2010	Assessment of lighting equipment related to human Exposure to electromagnetic fields
DoE VI CoC V	Efficiency Standards for External Power Supplies

Product Overview



OUTDOOR APPLICATION

Waterproof LED Power Supply

TUV UL UR RCM KC PSE

Series	Power Range	IP Rating	TUV	UL	UR	RCM	KC	PSE	Page Range	NEW!
SDG Series	100W-320W	IP67	●		●	●			01-02	●
SPT Series	600W-1200W	IP67							03-04	
SPG Series	50W-320W	IP65/IP67	●		●	●			05-14	
<small>SPG-A Series 50W-320W SPG-UV Series 50W-320W SPG-V Series 50W-320W</small>										

INDOOR APPLICATION

IP20 LED Power Supply

TUV UL UR RCM KC PSE

Series	Power Range	IP Rating	TUV	UL	UR	RCM	KC	PSE	Page Range	NEW!
SPF Series	24W-60W	IP67	●		●	●			15-16	
DALI2.0 Dimmable Series	6W-240W		●			●			21-29	●
<small>IP67 DALI2.0 Dimmable Series 60W-150W DALI2.0 Constant Voltage Dimmable Series 60W-240W DALI2.0 Constant Current Dimmable Series 6W-60W</small>										
CASAMBI Series	60W-150W		●			●			30	●
IP20/IP44 Regular & Super Slim Series	8W-320W		●			●			31-56	
<small>IP20 Regular Series 8W-320W IP20 Super Slim Series 15W-150W IP44 Super Slim Series 15W-100W Built-in Connector Series 20W-100W</small>										
Linetype Series	30W-240W		●			●			57-70	●
<small>IP20 Linear Type Series 30-240W Push In Clamp Terminal Series 60W-150W IP66/IP67 Outdoor Advertising Series 60W-240W</small>										
Dimmable Series	3W-150W		●			●			71-82	
<small>Triac Dimmable Series (Constant Voltage) 10W-150W Triac Dimmable Series (Constant Current) 3W-36W</small>										
UL & UE LED Power Supply Series	15W-300W		●	●	●	●		●	83-94	●
<small>UL LED Power Supply Series 15W-75W UL Triac Dimmable Series 25W-96W UE LED Power Supply Series 40W-300W</small>										
Sensor Series			●			●			95-106	
<small>IR Sensor PIR Sensor Touch Sensor 2.4G Remote Controller</small>										

Waterproof LED Power Supply

Outdoor SDG-V Series 100W-320W



SDG100-V/SDG150-V **NEW!**
page 01



SDG200-V/SDG250-V **NEW!**
SDG320-V
page 02

Outdoor SPT-A Series 600W-1200W



SPT600-A/SPT800-A **NEW!**
SPT1200-A/
page 04

Outdoor SPG Series

Outdoor SPG-A Series 50W-320W



SPG50-A/SPG80-A
page 06



SPG100-A/SPG150-A
SPG200-A
page 07



SPG240-A
page 08



SPG320-A
page 08

Outdoor SPG-UV Series 50W-320W



SPG50-UV/SPG80-UV
page 09



SPG100-UV/SPG150-UV
SPG200-UV
page 10



SPG240-UV
page 11



SPG320-UV
page 11

Outdoor SPG-V Series 50W-320W



SPG50-V/SPG80-V
page 12



SPG100-V/SPG150-V
page 13



SPG200-V/SPG240-V
page 14



SPG320-V
page 14

Indoor SPF Series 24W-100W



SPF24-VSP/SPF35-VSP
SPF60-VSP/SPF100-VSP
page 16

IP20 LED Power Supply

DALI2.0 Dimmable Series 6W-240W

IP67 DALI2.0 Dimmable Series 60W-150W



SDL60-VFP6/SDL100-VFP6
SDL150-VFP6
page 22

DALI2.0 Constant Voltage Dimmable Series 60W-240W



SDL60-VF6/SDL60-VF8
SDL100-VF6/SDL100-VF8
page 24



SDL150-VF6/SDL150-VF8
SDL200-VF/SDL240-VF
page 25



SDL100-VF-2CH
SDL150-VF-2CH
page 26

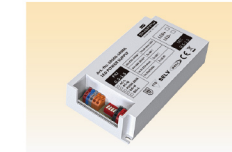
DALI2.0 Constant Current Dimmable Series 6W-60W



SDN200-VL6/SDN200-VL8
SDN240-VL6/SDN240-VL8
page 27



SDT12-IF6/SDT30-IF6
SDT40-IF6 **NEW!**
page 28



SDS6-IL/SDS12-IL **NEW!**
SDS26-IL/SDS44-IL
SDS60-IL
page 29

CASAMBI Series 60W-150W



SCL60-VF/SCL100-VF **NEW!**
SCL150-VF
page 30

IP20/IP44 Regular & Super Slim Series 8W-320W

IP20 Regular Series 8W-320W



SE8-VL
page 32



SS/SES20-VL
SS/SES24-VL
SS/SES30-VL
page 33



SS/SES36-VL
SS/SES40-VL
SS/SES50-VL
page 34



SS/SES60-VL
SS/SES75-VL
SS/SES100-VL
SS/SES150-VL
page 35



SNP200-VL-1
SNP250-VL-1
SNP320-VL-1
page 36



SEA8-VL **NEW!**
SEA12-VL
SEA15-VL
page 37



SEA15-IL **NEW!**
page 38



SEA60-VL **NEW!**
SEA75-VL
page 39



SEA120-VL
SEA180-VL
page 40

IP20 Super Slim Series 15W-150W



SE15-VF/SE20-VF
SE15-IF/SE20-IF
page 41



SS/SES20-VF
SS/SES30-VF
SS/SES40-VF
page 42



SS/SES50-VF
SS/SES60-VF
SS/SES75-VF
page 43



SNP100-VF-2
SNP150-VF-2
page 44

IP44 Super Slim Series 15W-100W



SE15-VFP/SE20-VFP
page 46



SS/SES30-VFP
SS/SES40-VFP
page 47



SS/SES60-VFP
page 48



SNP75-VFP
page 49



SNP100-VFP
page 50

Built-in Connector Series 20W-100W



SNP20-VFC-UE **NEW!**
SNP40-VFC-UE
SNP50-VFC-UE
SNP72-VFC-UE
SNP90-VFC-UE
page 51



SNP30-VFC/SNP60-VFC
SNP100-VFC
page 52



SNS30-VFC
SNS60-VFC
SNS100-VFC
page 53



SL30-VFC(UE)
SL60-VFC(UE)
SL100-VFC(UE)
page 54



SNP30-VM **NEW!**
SNP60-VM
page 56

Linetype Series 30W-240W
IP20 Linear type series 30-240W



SL30-VF/SNP45-VF-1
page 58



SL60-VF-1/SL75-VF
page 59



SL100-VF-1/SL150-VF-1
page 60



SNP200-VF-1
page 61



SL200-VF/SL200-VF-1
page 61



SL240-VF
page 62

Push In Clamp Terminal Series 60W-150W



SNP60-VFB-1
page 64



SNP60-VFD-1
page 64



SNP100-VFB-1
page 65



SNP100-VFD-1
page 65



SNP150-VFB-1
page 66



SNP150-VFD-1
page 66

Outdoor Advertising Series 60W-240W



SLP60-VFP(UE)
page 68



SLP100-VFP(UE)
page 68



SNP60-VFP-1
SNP100-VFP-1
page 69



SNP150-VFP-1
SNP200-VFP-1
SNP240-VFP-1
page 70

Dimmable Series 3W-150W

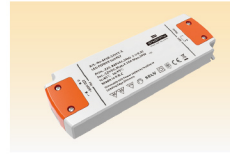
Triac Dimmable Series (Constant Voltage) 10W-150W



SP10-VFT **NEW!**
page 73



SP30-VFT-1 **NEW!**
SP36-VFT-1 **NEW!**
page 73



SP50-VFT-1
page 74



SP75-VLT
page 74



SP100-VLT/SP150-VLT
page 75

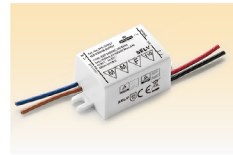


SL60-VFT **NEW!**
page 76



SL100-VFT/SL150-VFT **NEW!**
page 77

Triac Dimmable Series (Constant Current) 3W-36W



SP3-ILT/SP6-ILT **NEW!**
page 78



SP10-ILT-1/SP15-ILT
page 79



SP18-ILT
page 80



SP24-ILT
page 80



SP36-ILT
page 81



SNC10-ILT **NEW!**
page 82

UL & UE LED Power Supply Series 15W-300W

UL LED Power Supply Series 15W-75W



SE15-VF(UL)
SE20-VF(UL)
page 84



SE30-VF(UL)
SE50-VF(UL)
page 85



SE75-VF(UL) **NEW!**
page 86

UL Triac Dimmable Series 25W-300W



SP25-VFT(UL) **NEW!**
SP30-VFT(UL) **NEW!**
page 87



SP60-VFT(UL) **NEW!**
SP80-VFT(UL) **NEW!**
page 88



SD96-VLP(UE) **NEW!**
SD200-VLP(UE) **NEW!**
SD300-VLP(UE) **NEW!**
page 89

UE LED Power Supply Series 40W-150W



SNP60-VF-1(UL)
page 90



SL100-VF(UE)
page 91



SL150-VF(UE)
page 91



SNP40-VF(UE)
page 92



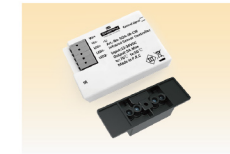
SNP60-VF(UE)
page 93



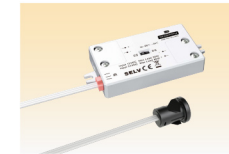
SNP75-VL(UE)
page 94

Sensor Series

IR Sensor & PIR Sensor



SOA-IR-CW+S107
page 97



SOA-IR
page 98



SIK-IR
page 99



SIM-IR
page 100



SOL-PIR
page 101



SIL-PIR
page 102

Touch Sensor & 2.4G Remote Controller



SOM-T/SOM-TB
page 103



SOM-T1 / SOM-T2W **NEW!**
page 104



SRC-2.4G01
page 105



SNP75-2.4G
page 106

Outdoor Series



OUTDOOR APPLICATION

- Outdoor SDG Series
- Outdoor SPT Series
- Outdoor SPG Series

 **POSEIDON**
Waterproof

 **HERKULES**
Strong

SDG100-V/SDG150-V NEW!



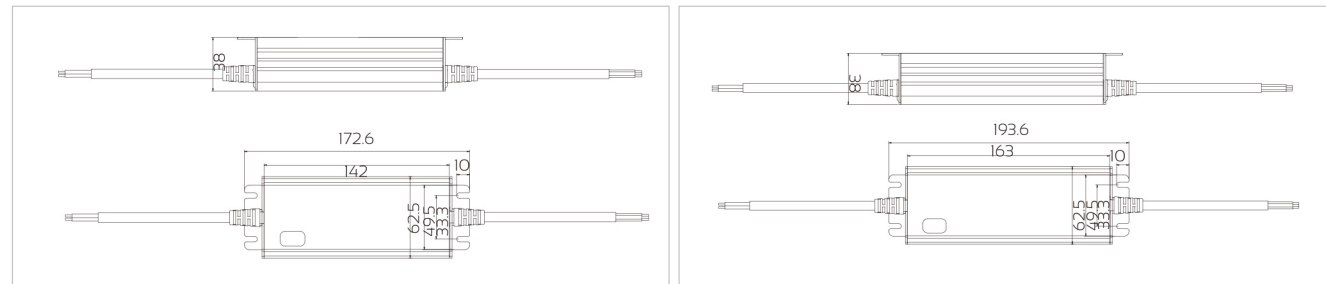
Reliable Technical Data

- Input Voltage Range:200-277VAC
- IP67 design for indoor or outdoor installation
- Protections:short circuit/over load/over voltage/over temperature
- Built in active PFC function
- Cooling by free air, high reliability
- 100% burn-in with full load
- Suitable for LED lighting and moving sign applications
- Compliance to worldwide safety regulation for LED lightings
- 5 years warranty

- Safety standards to EN61347-1, EN61347-2-13, UL8750
- Withstand voltage to I/P: -O/P: 5.3KV DC 1 minute
- Isolation resistance to I/P: -O/P, I/P-FG: 50M Ohm / 500VDC / 25°C / 70%RH
- EMC emission to EN55015
- EMC immunity to EN61000-4-2、 3、 4、 5、 6、 8、 11; EN55024; EN61547
- Harmonic current to EN61000-3-2 CLASS C (100% load)
- DALI 2 IEC62386



Dimension in mm



Characteristics

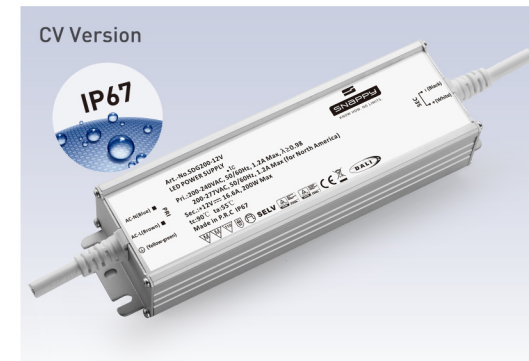
Input Voltage Range: AC200-277V 50/60Hz (power factor measured at AC230V and full load)



Model No.	Constant output voltage	Load	Max output current	PF	Ta	Tc	L x W x H	IP
SDG100-12V	12V	0-100W	8.33A	≥0.97	55°C	85°C	173x63x38	IP67
SDG100-24V	24V	0-100W	4.17A	≥0.97	55°C	85°C	173x63x38	IP67
SDG150-12V	12V	0-150W	12.5A	≥0.98	55°C	90°C	193.6x62.5x38	IP67
SDG150-24V	24V	0-150W	6.25A	≥0.98	55°C	90°C	193.6x62.5x38	IP67



SDG200-V/SDG250-V SDG320-V NEW!



CV Version

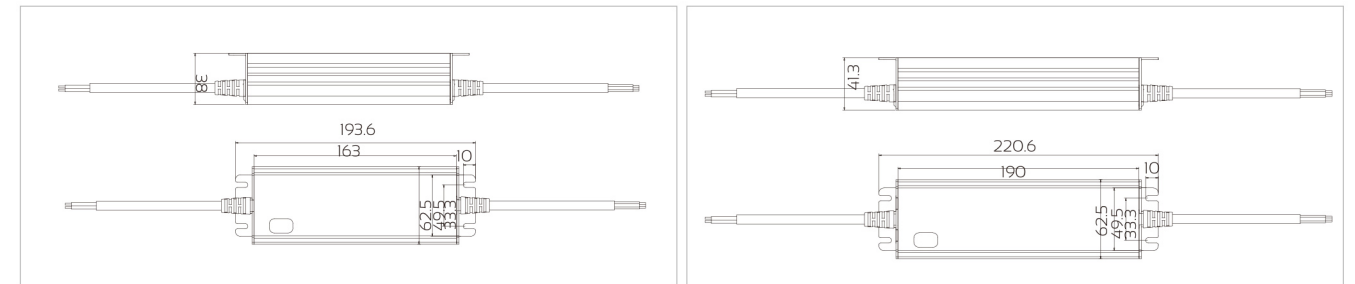
Reliable Technical Data

- Input Voltage Range:200-277 VAC
- IP67 design for indoor or outdoor installation
- Protections:short circuit/over load/over voltage/over temperature
- Built in active PFC function
- Cooling by free air, high reliability
- 100% burn-in with full load
- Suitable for LED lighting and moving sign applications
- Compliance to worldwide safety regulation for LED lightings
- 5 years warranty

- Safety standards to EN61347-1, EN61347-2-13, UL8750
- Withstand voltage to I/P: -O/P: 5.3KV DC 1 minute
- Isolation resistance to I/P: -O/P, I/P-FG: 50M Ohm / 500VDC / 25°C / 70%RH
- EMC emission to EN55015
- EMC immunity to EN61000-4-2、 3、 4、 5、 6、 8、 11; EN55024; EN61547
- Harmonic current to EN61000-3-2 CLASS C (100% load)
- DALI 2 IEC62386



Dimension in mm



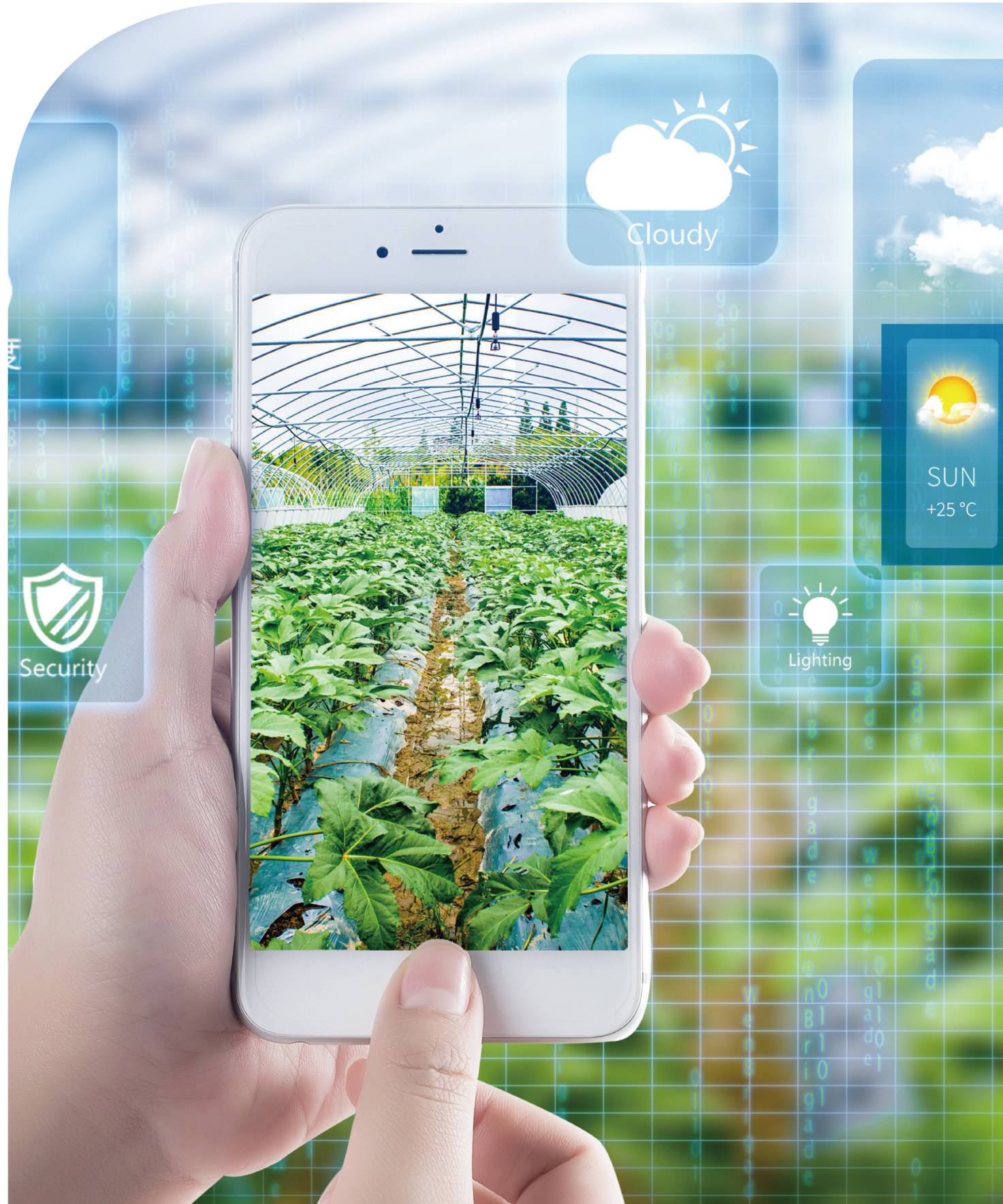
Characteristics

Input Voltage Range: AC200-277V 50/60Hz (power factor measured at AC230V and full load)



Model No.	Constant output voltage	Load	Max output current	PF	Ta	Tc	L x W x H	IP
SDG200-12V	12V	0-200W	16.67A	≥0.98	55°C	90°C	193.6x62.5x38	IP67
SDG200-24V	24V	0-200W	8.3A	≥0.98	55°C	90°C	193.6x62.5x38	IP67
SDG250-12V	12V	0-216W	18A	≥0.98	55°C	90°C	220.6x62.5x41.3	IP67
SDG250-24V	24V	0-240W	10A	≥0.98	55°C	90°C	220.6x62.5x41.3	IP67
SDG320-12V	12V	0-290W	24.16A	≥0.98	55°C	90°C	261x62.5x41.4	IP67
SDG320-24V	24V	0-320W	13.3A	≥0.98	55°C	90°C	261x62.5x41.4	IP67





SPT600-A/SPT800-A/SPT1200-A

NEW!

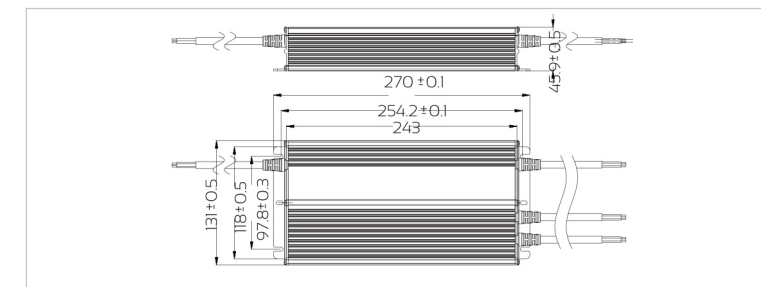


Reliable Technical Data

- Input Voltage Range:180-528VAC
- Input Frequency:47-63Hz
- Output Power:600W/800W/1200W
- Body: Aluminium
- Open Circuit; Over Temperature/Over Voltage;
- Safety According to EN61347-1, EN61347-2-13
- EMI According to EN55015
- EMS According to EN61000-3-2; EN61000-3-3; EN61547
- ERP According to EU2019-2020



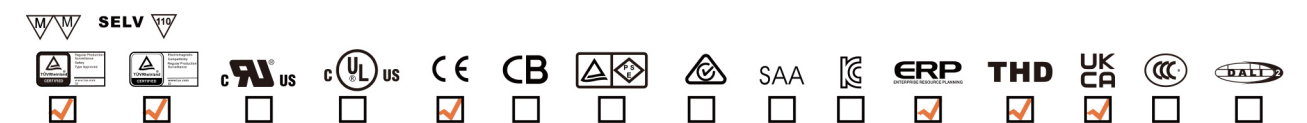
Dimension in mm



Characteristics

Input Voltage Range :AC180-528V 47~63Hz (power factor measured at AC480V and full load)

Model No.	Constant output voltage	Power	Max output current	PF	Ta	Tc	L x W x H	IP
SPT600-175	214-428V	600W	1.75A	≥ 0.95	55°C	90°C	270x134x49	IP67
SPT600-280	142-286V	600W	2.8A	≥ 0.95	55°C	90°C	270x134x49	IP67
SPT600-420	95-190V	600W	4.2A	≥ 0.95	55°C	90°C	270x134x49	IP67
SPT600-1250	28-56V	600W	12.5A	≥ 0.95	55°C	90°C	270x134x49	IP67
SPT800-360	114-222V	800W	3.6A	≥ 0.9	55°C	90°C	Pending	IP67
SPT800-420	80-190V	800W	4.2A	≥ 0.9	55°C	90°C	Pending	IP67
SPT800-600	56-133V	800W	6A	≥ 0.9	55°C	90°C	Pending	IP67
SPT800-1420	28-56V	800W	14.2A	≥ 0.9	55°C	90°C	Pending	IP67
SPT1200-420	143-357V	1200W	4.2A	≥ 0.9	55°C	90°C	Pending	IP67
SPT1200-560	108-268V	1200W	5.6A	≥ 0.9	55°C	90°C	Pending	IP67
SPT1200-740	81-202V	1200W	7.4A	≥ 0.9	55°C	90°C	Pending	IP67
SPT1200-2140	28-56V	1200W	21.4A	≥ 0.9	55°C	90°C	Pending	IP67



Outdoor SPG Series

- Outdoor SPG-A Series
- Outdoor SPG-UV Series
- Outdoor SPG-V Series



LED drivers with metal case for outdoor LED lighting
Open Circuit; Short Circuit; Over Load, Over Heat Protection

SPG50-A/SPG80-A



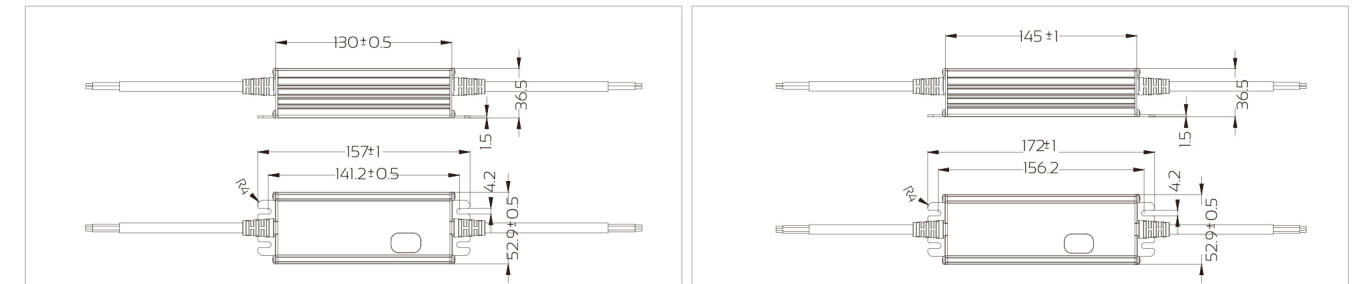
Reliable Technical Data

- Input Voltage Range: 100-277VAC
- IP65 design for indoor or outdoor installation
- Protections: short circuit/over load/over voltage/over temperature
- Built in active PFC function
- Cooling by free air, high reliability
- 100% burn-in with full load
- Suitable for LED lighting and moving sign applications
- A series: Output current and voltage is adjustable, IP65
- Compliance to worldwide safety regulation for LED lightings
- 5 years warranty

- Safety standards to EN61347-1, EN61347-2-13, UL8750
- Withstand voltage to I/P: -0/P: 5.3KV DC 1 minute
- Isolation resistance to I/P: -0/P, I/P-FG: 50M Ohm / 500VDC / 25°C / 70%RH
- EMC emission to EN55015, FCC PART15 ClassB
- EMC immunity to EN61000-4-2, 3, 4, 5, 6, 8, 11; EN55024; EN61547
- Harmonic current to EN61000-3-2 CLASS C (100% load)



Dimension in mm

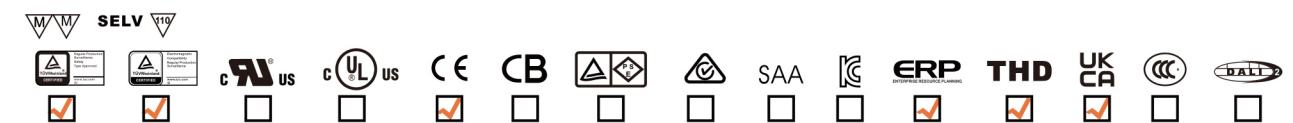


Characteristics

Input Voltage Range: AC100-277V 50/60Hz (power factor measured at AC230V and full load)

Model No.	Constant output voltage	Load	Max output current	PF	Ta	Tc	L x W x H	IP
SPG50-12A	12V	0-50W	4.17A	≥0.96	60°C	85°C	157x52.9x36.5	IP65
SPG50-24A	24V	0-50W	2.08A	≥0.96	60°C	85°C	157x52.9x36.5	IP65
SPG80-12A	12V	0-75W/0-80W	6.67A	≥0.97	55°C	90°C	172x52.9x36.5	IP65
SPG80-24A	24V	0-75W/0-80W	3.33A	≥0.97	55°C	90°C	172x52.9x36.5	IP65

0-75W 100-200VAC
0-80W 200-240VAC, 277VAC



SPG100-A/SPG150-A/SPG200-A



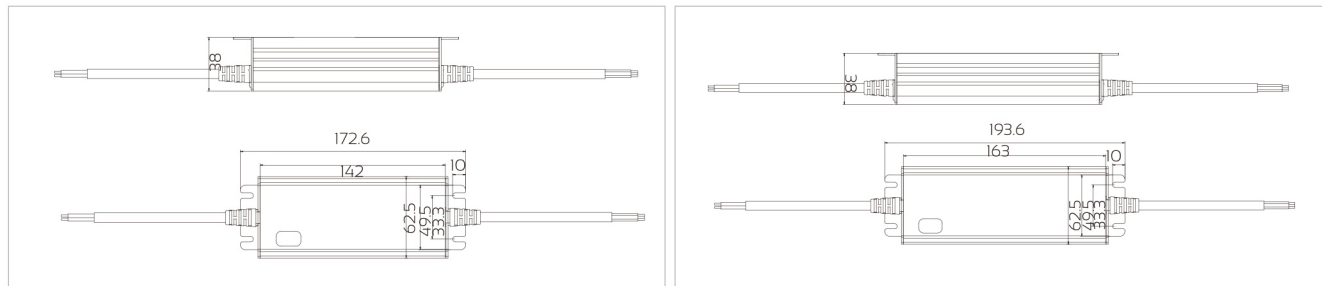
Reliable Technical Data

- Input Voltage Range: 100-277VAC
- IP65 design for indoor or outdoor installation
- Protections: short circuit/over load/over voltage/over temperature
- Built in active PFC function
- Cooling by free air, high reliability
- 100% burn-in with full load
- Suitable for LED lighting and moving sign applications
- A series: Output current and voltage is adjustable, IP65
- Compliance to worldwide safety regulation for LED lightings
- 5 years warranty

- Safety standards to EN61347-1, EN61347-2-13, UL8750
- Withstand voltage to I/P: -O/P: 5.3KV DC 1 minute
- Isolation resistance to I/P: -O/P, I/P-FG: 50M Ohm / 500VDC / 25°C / 70%RH
- EMC emission to EN55015, FCC PART15 ClassB
- EMC immunity to EN61000-4-2, 3, 4, 5, 6, 8, 11; EN55024; EN61547
- Harmonic current to EN61000-3-2 CLASS C (100% load)



Dimension in mm

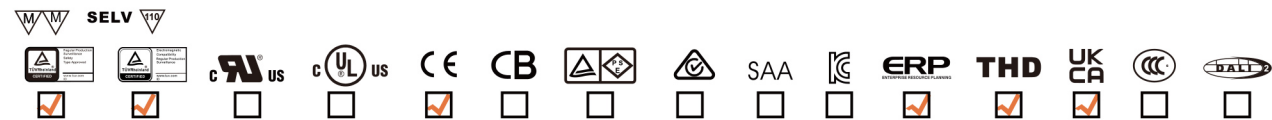


Characteristics

Input Voltage Range: AC100-277V 50/60Hz (power factor measured at AC230V and full load)

- 50°C 100-200VAC
- 60°C 200-240VAC, 277VAC

Model No.	Constant output voltage	Load	Max output current	PF	Ta	Tc	L x W x H	IP
SPG100-12A	12V	0-100W	8.33A	≥0.97	60°C	90°C	172.6x62.5x38	IP65
SPG100-24A	24V	0-100W	4.17A	≥0.97	60°C	90°C	172.6x62.5x38	IP65
SPG150-12A	12V	0-150W	12.5A	≥0.98	50°C/60°C	90°C	193.6x62.5x38	IP65
SPG150-24A	24V	0-150W	6.25A	≥0.98	50°C/60°C	90°C	193.6x62.5x38	IP65
SPG200-12A	12V	0-192W	16A	≥0.98	50°C/60°C	90°C	220.6x62.5x38	IP65
SPG200-24A	24V	0-200W	8.33A	≥0.98	50°C/60°C	90°C	220.6x62.5x38	IP65



SPG240-A



Reliable Technical Data

- Input Voltage Range: 100-277VAC
- IP65 design for indoor or outdoor installation
- Protections: short circuit/over load/over voltage/over temperature
- Built in active PFC function
- Cooling by free air, high reliability
- 100% burn-in with full load
- Suitable for LED lighting and moving sign applications
- A series: Output current and voltage is adjustable, IP65
- Compliance to worldwide safety regulation for LED lightings
- 5 years warranty

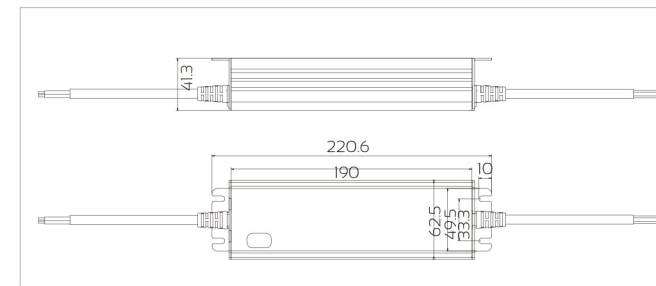
SPG320-A



- Safety standards to EN61347-1, EN61347-2-13, UL8750
- Withstand voltage to I/P: -O/P: 5.3KV DC 1 minute
- Isolation resistance to I/P: -O/P, I/P-FG: 50M Ohm / 500VDC / 25°C / 70%RH
- EMC emission to EN55015, FCC PART15 ClassB
- EMC immunity to EN61000-4-2, 3, 4, 5, 6, 8, 11; EN55024; EN61547
- Harmonic current to EN61000-3-2 CLASS C (100% load)



Dimension in mm

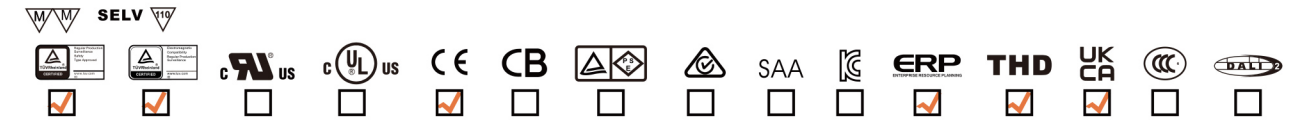


Characteristics

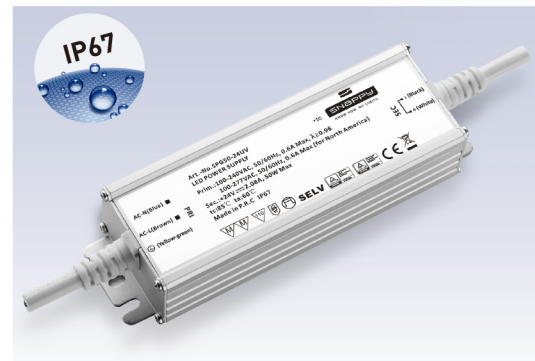
Input Voltage Range: AC100-277V 50/60Hz (power factor measured at AC230V and full load)

Model No.	Constant output voltage	Load	Max output current	PF	Ta	Tc	L x W x H	IP
SPG240-12A	12V	0-216W	18A	≥0.98	45°C/55°C	90°C	220.6x62.5x41.3	IP65
SPG240-24A	24V	0-240W	10A	≥0.98	45°C/55°C	90°C	220.6x62.5x41.3	IP65
SPG320-12A	12V	0-264W	22A	≥0.98	45°C/55°C	90°C	261x62.5x41.4	IP65
SPG320-24A	24V	0-300W 120-200VAC 0-320W 200-240VAC, 277VAC	12.5/13.3A	≥0.98	45°C/55°C	90°C	261x62.5x41.4	IP65

- SPG240-A
- 45°C 100-200VAC
 - 55°C 200-240VAC, 277VAC
- SPG320-A
- 45°C 120-200VAC
 - 55°C 200-240VAC, 277VAC



SPG50-UV/SPG80-UV



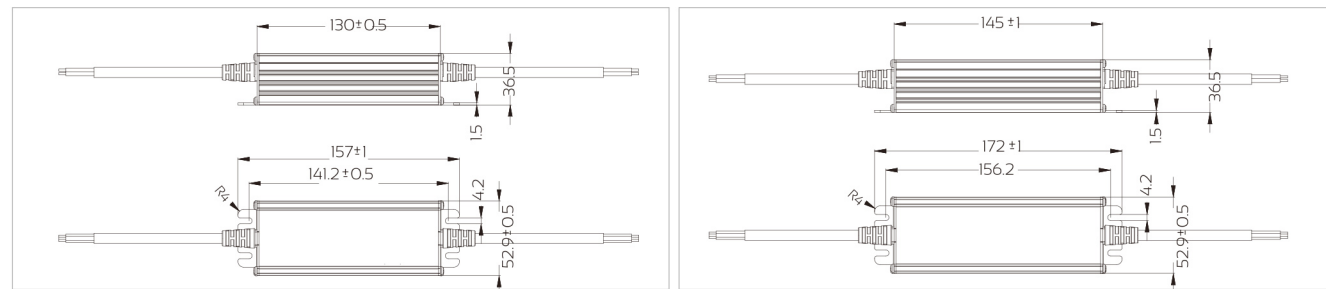
Reliable Technical Data

- Input Voltage Range:100-277 VAC
- IP67 design for indoor or outdoor installation
- Protections:short circuit/over load/over voltage/over temperature
- Built in active PFC function
- Cooling by free air, high reliability
- 100% burn-in with full load
- Suitable for LED lighting and moving sign applications
- Compliance to worldwide safety regulation for LED lightings
- 5 years warranty

- Safety standards to EN61347-1, EN61347-2-13, UL8750
- Withstand voltage to I/P: -O/P: 5.3KV DC 1 minute
- Isolation resistance to I/P: -O/P, I/P-FG: 50M Ohm / 500VDC / 25°C / 70%RH
- EMC emission to EN55015, FCC PART15 ClassB
- EMC immunity to EN61000-4-2, 3, 4, 5, 6, 8, 11; EN55024; EN61547
- Harmonic current to EN61000-3-2 CLASS C (100% load)



Dimension in mm

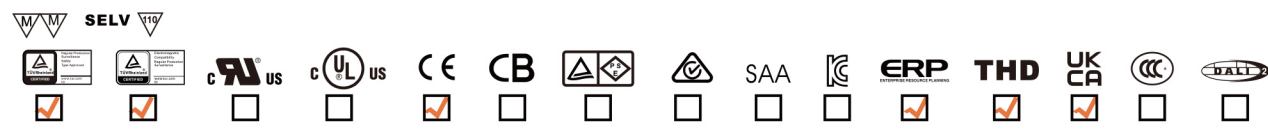


Characteristics

Input Voltage Range: AC100-277V 50/60Hz (power factor measured at AC230V and full load)

Model No.	Constant output voltage	Load	Max output current	PF	Ta	Tc	L x W x H	IP
SPG50-12UV	12V	0-50W	4.17A	≥0.96	60°C	85°C	157x52.9x36.5	IP67
SPG50-24UV	24V	0-50W	2.08A	≥0.96	60°C	85°C	157x52.9x36.5	IP67
SPG80-12UV	12V	0-75W/0-80W	6.25A/6.67A	≥0.97	55°C	90°C	172x52.9x36.5	IP67
SPG80-24UV	24V	0-75W/0-80W	3.125A/3.33A	≥0.97	55°C	90°C	172x52.9x36.5	IP67

0-75W 6.25A/3.125A 100-200VAC
0-80W 6.67A/3.33A 200-240VAC, 277VAC



SPG100-UV/SPG150-UV/SPG200-UV



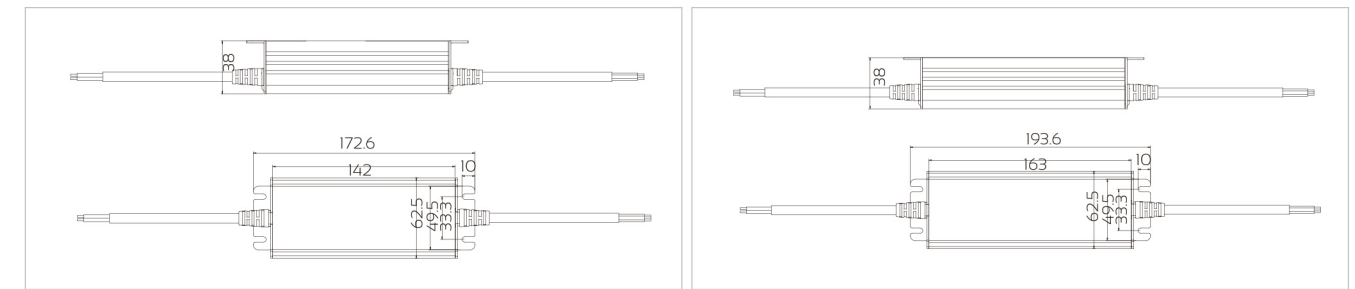
Reliable Technical Data

- Input Voltage Range:100-277 VAC
- IP67 design for indoor or outdoor installation
- Protections:short circuit/over load/over voltage/over temperature
- Built in active PFC function
- Cooling by free air, high reliability
- 100% burn-in with full load
- Suitable for LED lighting and moving sign applications
- Compliance to worldwide safety regulation for LED lightings
- 5 years warranty

- Safety standards to EN61347-1, EN61347-2-13, UL8750
- Withstand voltage to I/P: -O/P: 5.3KV DC 1 minute
- Isolation resistance to I/P: -O/P, I/P-FG: 50M Ohm / 500VDC / 25°C / 70%RH
- EMC emission to EN55015, FCC PART15 ClassB
- EMC immunity to EN61000-4-2, 3, 4, 5, 6, 8, 11; EN55024; EN61547
- Harmonic current to EN61000-3-2 CLASS C (100% load)



Dimension in mm

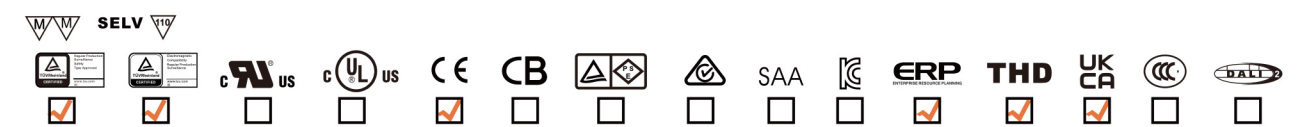


Characteristics

Input Voltage Range: AC100-277V 50/60Hz (power factor measured at AC230V and full load)

- 50°C 100-200VAC
- 60°C 200-240VAC, 277VAC

Model No.	Constant output voltage	Load	Max output current	PF	Ta	Tc	L x W x H	IP
SPG100-12UV	12V	0-100W	8.33A	≥0.97	60°C	90°C	172.6x62.5x38	IP67
SPG100-24UV	24V	0-100W	4.17A	≥0.97	60°C	90°C	172.6x62.5x38	IP67
SPG150-12UV	12V	0-150W	12.5A	≥0.98	50°C/60°C	90°C	193.6x62.5x38	IP67
SPG150-24UV	24V	0-150W	6.25A	≥0.98	50°C/60°C	90°C	193.6x62.5x38	IP67
SPG200-12UV	12V	0-192W	16A	≥0.98	50°C/60°C	90°C	220.6x62.5x38	IP67
SPG200-24UV	24V	0-200W	8.3A	≥0.98	50°C/60°C	90°C	220.6x62.5x38	IP67



SPG240-UV



Reliable Technical Data

- Input Voltage Range: 100-277 VAC
- IP67 design for indoor or outdoor installation
- Protections: short circuit/over load/over voltage/over temperature
- Built in active PFC function
- Cooling by free air, high reliability
- 100% burn-in with full load
- Suitable for LED lighting and moving sign applications
- Compliance to worldwide safety regulation for LED lightings
- 5 years warranty

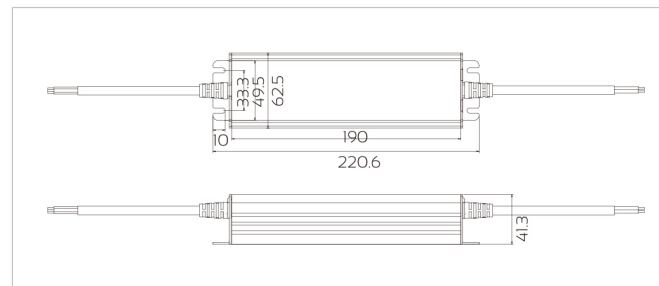
SPG320-UV



- Safety standards to EN61347-1, EN61347-2-13, UL8750
- Withstand voltage to I/P: -O/P: 5.3KV DC 1 minute
- Isolation resistance to I/P: -O/P, I/P-FG: 50M Ohm / 500VDC / 25°C / 70%RH
- EMC emission to EN55015, FCC PART15 ClassB
- EMC immunity to EN61000-4-2, 3, 4, 5, 6, 8, 11; EN55024; EN61547
- Harmonic current to EN61000-3-2 CLASS C (100% load)



Dimension in mm



SPG240-UV

- 45°C 100-200VAC
- 55°C 200-240VAC, 277VAC

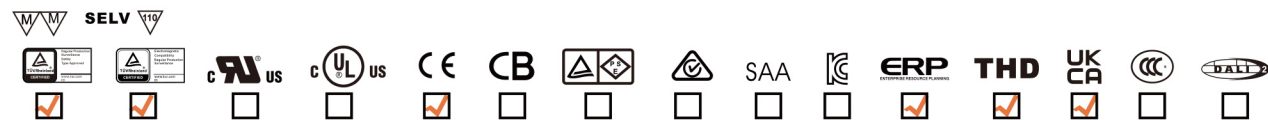
SPG320-UV

- 45°C 120-200VAC
- 55°C 200-240VAC, 277VAC

Characteristics

Input Voltage Range: AC100-277V 50/60Hz [power factor measured at AC230V and full load]

Model No.	Constant output voltage	Load	Max output current	PF	Ta	Tc	L x W x H	IP
SPG240-12UV	12V	0-216W	18A	≥0.98	45°C/55°C	90°C	220.6x62.5x41.3	IP67
SPG240-24UV	24V	0-240W	10A	≥0.98	45°C/55°C	90°C	220.6x62.5x41.3	IP67
SPG320-12UV	12V	0-264W	22A	≥0.98	45°C/55°C	90°C	261x62.5x41.4	IP67
SPG320-24UV	24V	0-300W 120-200VAC 0-320W 200-240VAC, 277VAC	12.5A 13.3A	≥0.98	45°C/55°C	90°C	261x62.5x41.4	IP67



SPG50-V/SPG80-V



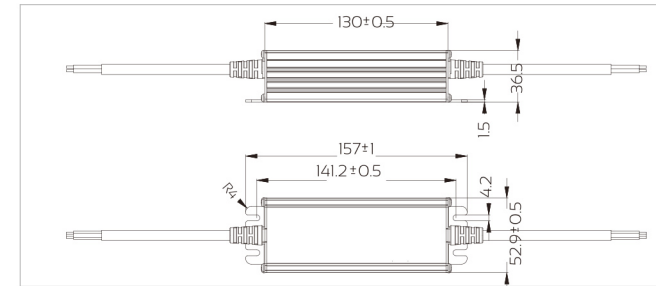
Reliable Technical Data

- Input Voltage Range: 200-277VAC
- IP67 design for indoor or outdoor installation
- Protections: short circuit/over load/over voltage/over temperature
- Built in active PFC function
- Cooling by free air, high reliability
- 100% burn-in with full load
- Suitable for LED lighting and moving sign applications
- Compliance to worldwide safety regulation for LED lightings
- 5 years warranty

- Safety standards to EN61347-1, EN61347-2-13, UL8750
- Withstand voltage to I/P: -O/P: 5.3KV DC 1 minute
- Isolation resistance to I/P: -O/P, I/P-FG: 50M Ohm / 500VDC / 25°C / 70%RH
- EMC emission to EN55015, FCC PART15 ClassB
- EMC immunity to EN61000-4-2, 3, 4, 5, 6, 8, 11; EN55024; EN61547
- Harmonic current to EN61000-3-2 CLASS C (100% load)



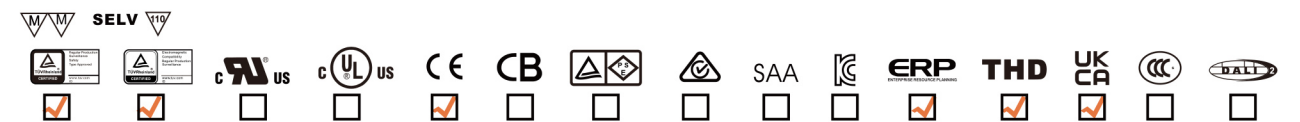
Dimension in mm



Characteristics

Input Voltage Range: AC200-277V 50/60Hz (power factor measured at AC230V and full load)

Model No.	Constant output voltage	Load	Max output current	PF	Ta	Tc	L x W x H	IP
SPG50-12V	12V	0-50W	4.17A	≥0.97	55°C	85°C	157x52.9x36.5	IP67
SPG50-24V	24V	0-50W	2.08A	≥0.97	55°C	85°C	157x52.9x36.5	IP67
SPG80-12V	12V	0-80W	6.67A	≥0.97	50°C	90°C	157x52.9x36.5	IP67
SPG80-24V	24V	0-80W	3.33A	≥0.97	50°C	90°C	157x52.9x36.5	IP67



SPG100-V/SPG150-V



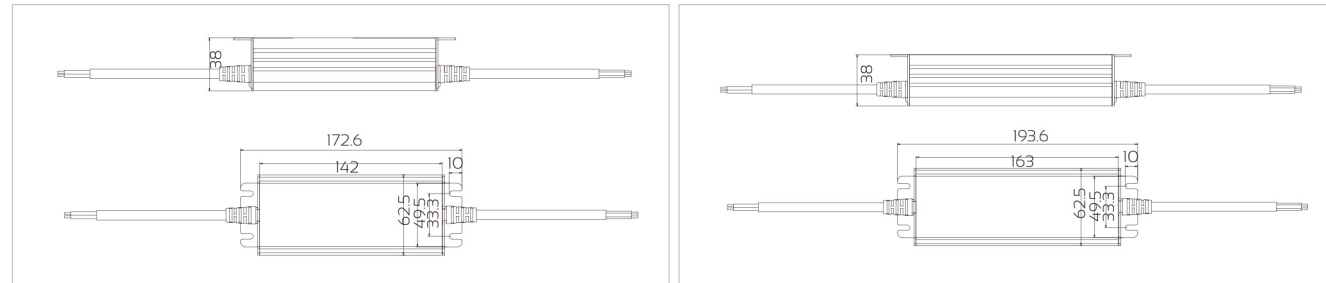
Reliable Technical Data

- Input Voltage Range:200-277VAC
- IP67 design for indoor or outdoor installation
- Protections:short circuit/over load/over voltage/over temperature
- Built in active PFC function
- Cooling by free air, high reliability
- 100% burn-in with full load
- Suitable for LED lighting and moving sign applications
- Compliance to worldwide safety regulation for LED lightings
- 5 years warranty

- Safety standards to EN61347-1, EN61347-2-13, UL8750
- Withstand voltage to I/P: -O/P: 5.3KV DC 1 minute
- Isolation resistance to I/P: -O/P, I/P-FG: 50M Ohm / 500VDC / 25°C / 70%RH
- EMC emission to EN55015, FCC PART15 ClassB
- EMC immunity to EN61000-4-2, 3, 4, 5, 6, 8, 11; EN55024; EN61547
- Harmonic current to EN61000-3-2 CLASS C (100% load)



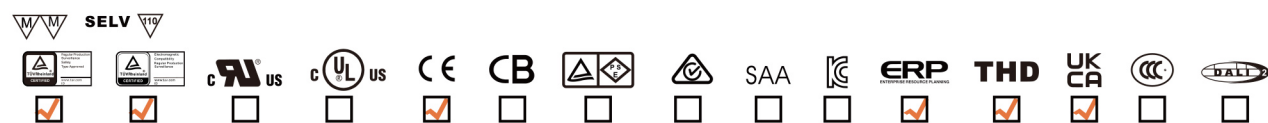
Dimension in mm



Characteristics

Input Voltage Range: AC200-277V 50/60Hz (power factor measured at AC230V and full load)

Model No.	Constant output voltage	Load	Max output current	PF	Ta	Tc	L x W x H	IP
SPG100-12V	12V	0-100W	8.33A	≥0.97	55°C	85°C	173x62.5x38	IP67
SPG100-24V	24V	0-100W	4.17A	≥0.97	55°C	85°C	173x62.5x38	IP67
SPG150-12V	12V	0-150W	12.5A	≥0.98	55°C	90°C	193.6x62.5x38	IP67
SPG150-24V	24V	0-150W	6.25A	≥0.98	55°C	90°C	193.6x62.5x38	IP67
SPG150-48V	48V	0-150W	3.125A	≥0.95	60°C	90°C	193.6x62.5x38	IP67



SPG200-V/SPG240-V



Reliable Technical Data

- Input Voltage Range:200-277 VAC
- IP67 design for indoor or outdoor installation
- Protections:short circuit/over load/over voltage/over temperature
- Built in active PFC function
- Cooling by free air, high reliability
- 100% burn-in with full load
- Suitable for LED lighting and moving sign applications
- Compliance to worldwide safety regulation for LED lightings
- 5 years warranty

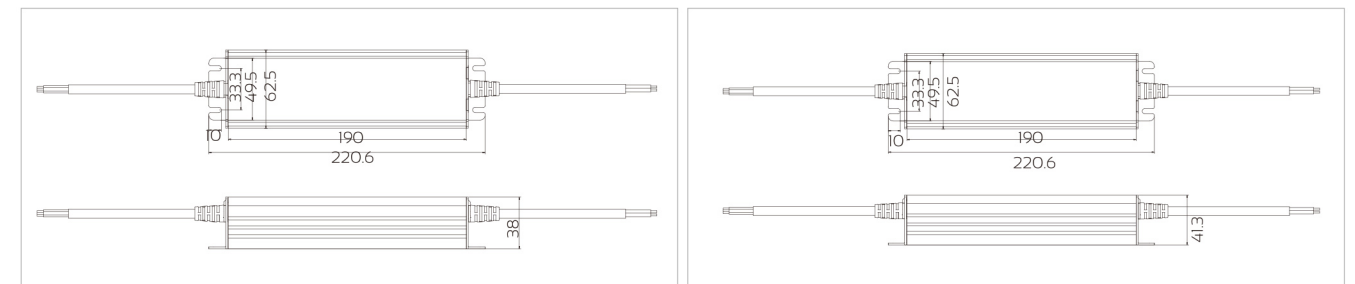
- Safety standards to EN61347-1, EN61347-2-13, UL8750
- Withstand voltage to I/P: -O/P: 5.3KV DC 1 minute
- Isolation resistance to I/P: -O/P, I/P-FG: 50M Ohm / 500VDC / 25°C / 70%RH
- EMC emission to EN55015, FCC PART15 ClassB
- EMC immunity to EN61000-4-2, 3, 4, 5, 6, 8, 11; EN55024; EN61547
- Harmonic current to EN61000-3-2 CLASS C (100% load)



SPG320-V



Dimension in mm



Characteristics

Input Voltage Range: AC200-277V 50/60Hz (power factor measured at AC230V and full load)

Model No.	Constant output voltage	Load	Max output current	PF	Ta	Tc	L x W x H	IP
SPG200-12V	12V	0-200W	16.67A	≥0.98	55°C	90°C	220.6x62.5x38	IP67
SPG200-24V	24V	0-200W	8.33A	≥0.98	55°C	90°C	220.6x62.5x38	IP67
SPG240-12V	12V	0-216W	18A	≥0.98	55°C	90°C	220.6x62.5x41.3	IP67
SPG240-24V	24V	0-240W	10A	≥0.98	55°C	90°C	220.6x62.5x41.3	IP67
SPG320-12V	12V	0-290W	24.16A	≥0.98	55°C	90°C	261x62.5x41.4	IP67
SPG320-24V	24V	0-320W	13.3A	≥0.98	55°C	90°C	261x62.5x41.4	IP67
SPG320-48V	48V	0-320W	6.66A	≥0.98	55°C	90°C	261x62.5x41.4	IP67





LED drivers with Plastic case for indoor LED lighting
Open Circuit; Short Circuit; Over Load, Over Heat Protection

SPF24-VSP/SPF35-VSP
SPF60-VSP/SPF100-VSP

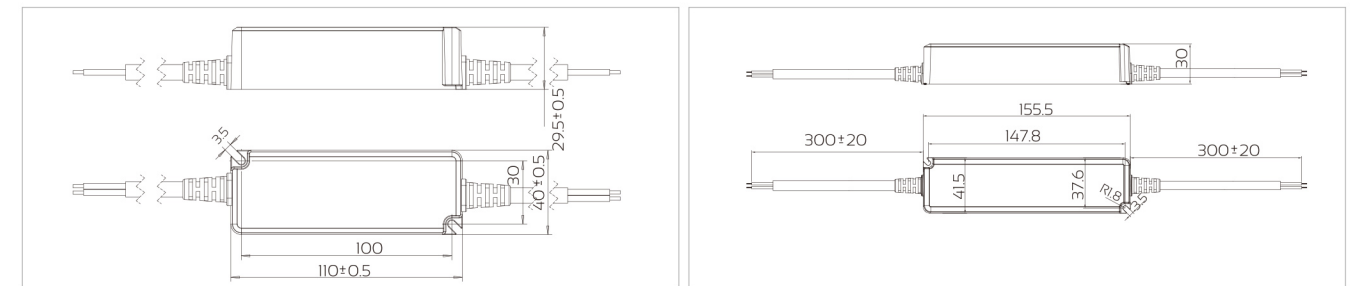


Reliable Technical Data

- Input Voltage Range: 220-240VAC
 - Input Frequency: 50/60Hz
 - Output Power: 24W/35W/60W/100W
 - Body: PC Body with Protection Grade IP67
 - Open Circuit; Short Circuit; Over Load;
 - 5 years warranty
-
- Safety According to EN61347-1, EN61347-2-13
 - EMI According to EN55015
 - EMS According to EN61000-3-2; EN61000-3-3; EN61547
 - EMF According to EN62493
 - ERP According to EU2019-2020



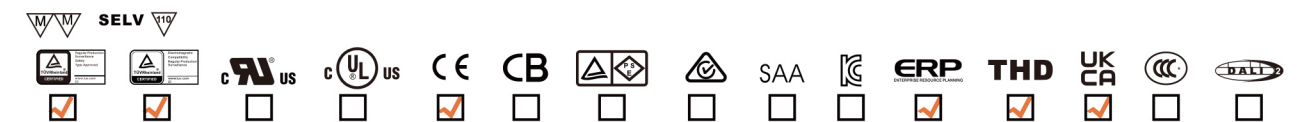
Dimension in mm



Characteristics

Input Voltage Range: AC220-240V 50/60Hz (power factor measured at AC230V and full load)

Model No.	Constant output voltage	Load	Max output current	PF	Ta	Tc	L x W x H	IP
SPF24-12VSP	12V	0-24W	2A	≥ 0.9	45°C	90°C	114x38.5x29	IP67
SPF24-24VSP	24V	0-24W	1A	≥ 0.9	45°C	90°C	114x38.5x29	IP67
SPF35-12VSP	12V	0-35W	2.9A	≥ 0.9	55°C	85°C	110x40x29.5	IP67
SPF35-24VSP	24V	0-35W	1.45A	≥ 0.9	55°C	85°C	110x40x29.5	IP67
SPF60-12VSP	12V	0-60W	5A	≥ 0.95	55°C	90°C	155.5x41.5x30	IP67
SPF60-24VSP	24V	0-60W	2.5A	≥ 0.95	55°C	90°C	155.5x41.5x30	IP67
SPF100-12VSP	12V	0-100W	8.3A	≥ 0.9	45°C	90°C	155.5x41.5x30	IP67
SPF100-24VSP	24V	0-100W	4.2A	≥ 0.9	45°C	90°C	155.5x41.5x30	IP67



Indoor Series



INDOOR APPLICATION

- DALI2.0 Dimmable Series
- CASAMBI Series
- Regular & Super Slim Series
- Linetype Series
- Built-in Connector Series
- UL & UE Series
- Sensor Series

 **HELENA**
Super Slim

 **PROMETHEUS**
Regular Human, Vision

 **HELIOS**
Dimmable

 **MARATHON**
Long Life

DALI Dimmable Series



DALI Control



Smart



Touch



Sensor

Small size, Light weight, Easy for installation and transportation

Open Circuit; Short Circuit; Over Load

Dimmable



Indoor DALI 2.0 Dimmable Series

IP67 DALI2.0 Dimmable Series



SDL60-VFP6/SDL100-VFP6
SDL150-VFP6



CV Version



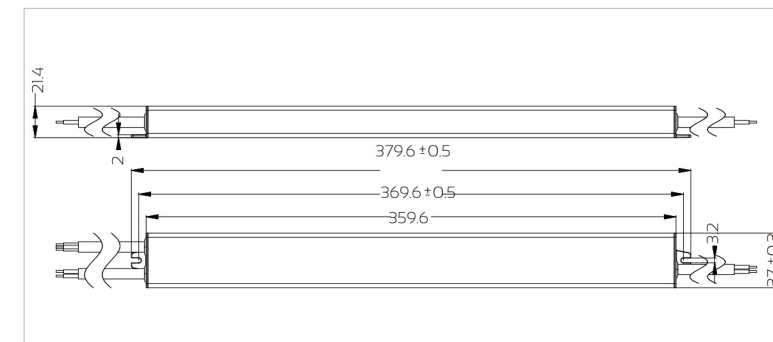
Reliable Technical Data

- Input Voltage Range:220-240VAC
- Input Frequency:50Hz/60Hz
- Output Power:60W/100W/150W
- Body: Aluminum case
- Short Circuit; Over Load; Over Voltage
- Over Heat Protection

- Safety According to EN61347-1, EN61347-2-13
- EMI According to EN55015
- EMS According to EN61000-3-2; EN61000-3-3; EN61547
- EMF According to EN62493
- ERP According to EU2019-2020
- DALI 2 IEC62386



Dimension in mm



Characteristics

Input Voltage Range:220-240VAC 50Hz/60Hz (power factor measured at AC230V and full load)



Model No.	Constant output voltage	Max output current	Power	PF	Ta	Tc	L x W x H
SDL60-12VFP6	12V	5.0A	6-60W	>0.95	45°C	85°C	379.6x37x21.4
SDL60-24VFP6	24V	2.5A	6-60W	>0.95	45°C	85°C	379.6x37x21.4
SDL100-12VFP6	12V	8.33A	10-100W	>0.95	45°C	85°C	379.6x37x21.4
SDL100-24VFP6	24V	4.16A	10-100W	>0.95	45°C	85°C	379.6x37x21.4
SDL150-12VFP6	12V	11A	13-132W	>0.95	45°C	85°C	379.6x37x21.4
SDL150-24VFP6	24V	6.25A	15-150W	>0.95	45°C	85°C	379.6x37x21.4



☰ DALI 2.0 Constant Voltage Dimmable Series

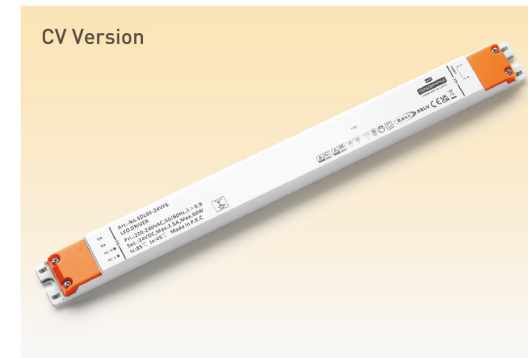
IP20 DALI2.0 Dimmable Series



SDL60-VF6/SDL60-VF8
SDL100-VF6/SDL100-VF8



CV Version



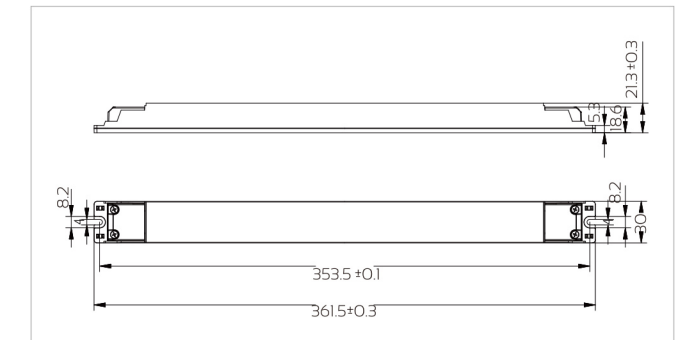
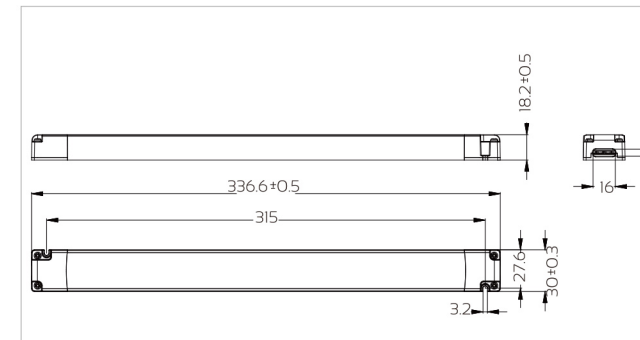
Reliable Technical Data

- Input Voltage Range:220-240VAC
- Input Frequency:50Hz/60Hz
- Output Power:60W/100W
- Body: Plastic case
- Short Circuit; Over Load; Over Voltage
- Over Heat Protection

- Safety According to EN61347-1, EN61347-2-13
- EMI According to EN55015
- EMS According to EN61000-3-2; EN61000-3-3; EN61547
- EMF According to EN62493
- ERP According to EU2019-2020
- DALI 2 IEC62386



Dimension in mm



Characteristics

Input Voltage Range:220-240VAC 50Hz/60Hz (power factor measured at AC230V and full load)

Dimmable: DT8 DIM & CT

Model No.	Constant output voltage	Max output current	Power	PF	Ta	Tc	L x W x H
SDL60-12VF6	12V	5.0A	6-60W	≥0.9	45°C	85°C	361.5x30x21.3
SDL60-24VF6	24V	2.5A	6-60W	≥0.9	45°C	85°C	361.5x30x21.3
SDL60-48VF6	48V	1.25A	6-60W	≥0.9	45°C	85°C	361.5x30x21.3
SDL60-24VF8	24V	2.5A	6-60W	≥0.9	45°C	85°C	361.5x30x21.3
SDL100-12VF6	12V	8.33A	10-100W	≥0.95	45°C	85°C	336.6x30x18.2
SDL100-24VF6	24V	4.16A	10-100W	≥0.95	45°C	85°C	336.6x30x18.2
SDL100-48VF6	48V	2.08A	10-100W	≥0.95	45°C	85°C	336.6x30x18.2
SDL100-24VF8	24V	4.16A	10-100W	≥0.95	45°C	85°C	336.6x30x18.2



DALI 2.0 Constant Voltage Dimmable Series

SDL150-VF6/SDL150-VF8
SDL200-VF/SDL240-VF



CV Version

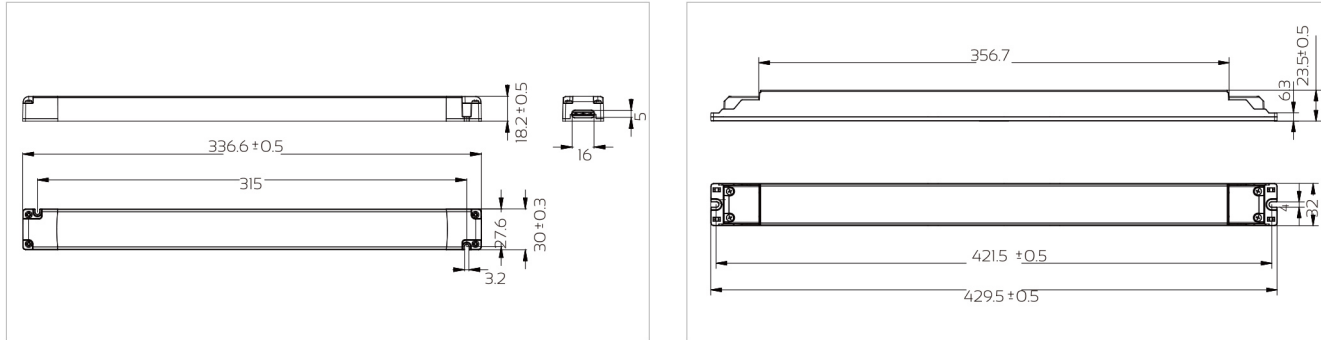


Reliable Technical Data

- Input Voltage Range:220-240VAC
 - Input Frequency:50Hz/60Hz
 - Output Power:150W/200W/240W
 - Body: Plastic case
 - Short Circuit; Over Load; Over Voltage
 - Over Heat Protection
-
- Safety According to EN61347-1, EN61347-2-13
 - EMI According to EN55015
 - EMS According to EN61000-3-2; EN61000-3-3; EN61547
 - EMF According to EN62493
 - ERP According to EU2019-2020
 - DALI 2 IEC62386



Dimension in mm



Characteristics

Input Voltage Range:220-240VAC 50Hz/60Hz (power factor measured at AC230V and full load)



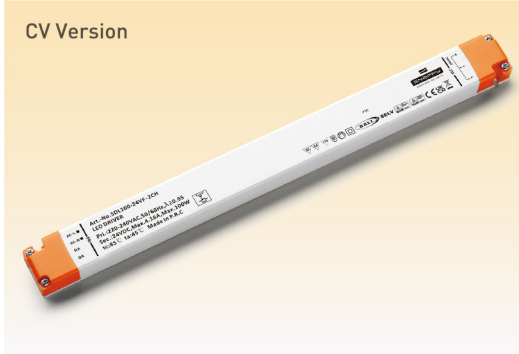
Model No.	Constant output voltage	Max output current	Power	PF	Ta	Tc	L x W x H
SDL150-12VF6	12V	11A	13-132W	≥0.95	45°C	85°C	336.6x30x18.2
SDL150-24VF6	24V	6.25A	15-150W	≥0.95	45°C	85°C	336.6x30x18.2
SDL150-48VF6	48V	3.125A	15-150W	≥0.95	45°C	85°C	336.6x30x18.2
SDL150-24VF8	24V	6.25A	15-150W	≥0.95	45°C	85°C	336.6x30x18.2
SDL200-24VF	24V	8.33A	20-200W	≥0.9	45°C	90°C	429.5x32x23.5
SDL240-24VF	24V	10A	24-240W	≥0.9	45°C	90°C	429.5x32x23.5



SDL100-24VF-2CH
SDL150-24VF-2CH



CV Version

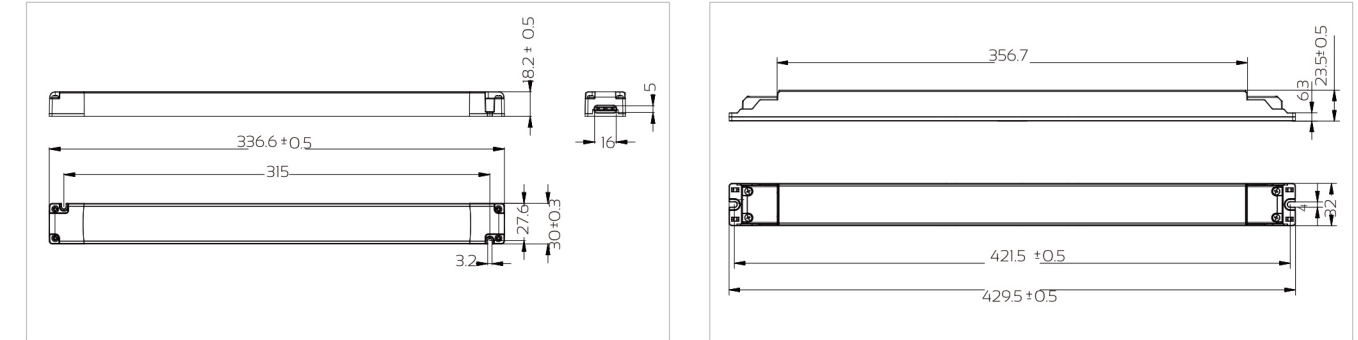


Reliable Technical Data

- Input Voltage Range:220-240VAC
 - Input Frequency:50Hz/60Hz
 - Output Power:100W/150W
 - Body: Plastic case
 - Short Circuit; Over Load; Over Voltage
 - Over Heat Protection
-
- Safety According to EN61347-1, EN61347-2-13
 - EMI According to EN55015
 - EMS According to EN61000-3-2; EN61000-3-3; EN61547
 - EMF According to EN62493
 - ERP According to EU2019-2020
 - DALI 2 IEC62386



Dimension in mm

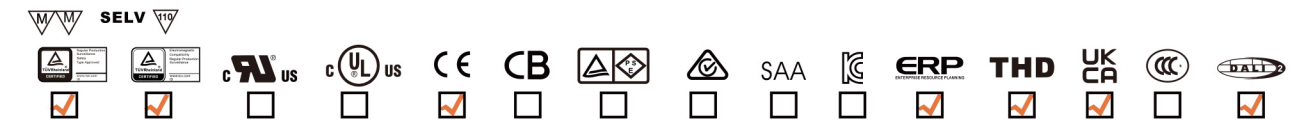


Characteristics

Input Voltage Range:220-240VAC 50Hz/60Hz (power factor measured at AC230V and full load)



Model No.	Constant output voltage	Max output current	Power	PF	Ta	Tc	L x W x H
SDL100-24VF-2CH dual channels	24V	4.16A	0-100W	≥0.9	45°C	90°C	336.6x30x18.2
SDL150-24VF-2CH dual channels	24V	6.25A	0-150W	≥0.9	45°C	90°C	429.5x32x23.5



DALI 2.0 Constant Voltage Dimmable Series

SDN200-VL6/SDN200-VL8
SDN240-VL6/SDN240-VL8



CV Version

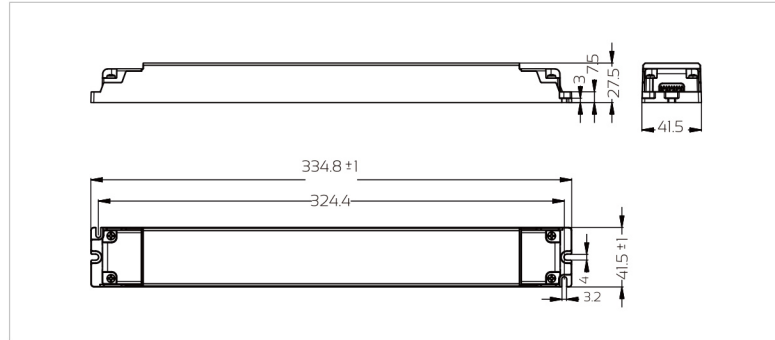


Reliable Technical Data

- Input Voltage Range:220-240VAC
 - Input Frequency:50Hz/60Hz
 - Output Power:200W/240W
 - Body: Plastic case
 - Short Circuit; Over Load; Over Voltage
 - Over Heat Protection
-
- Safety According to EN61347-1, EN61347-2-13
 - EMI According to EN55015
 - EMS According to EN61000-3-2; EN61000-3-3; EN61547
 - EMF According to EN62493
 - ERP According to EU2019-2020
 - DALI 2 IEC62386



Dimension in mm

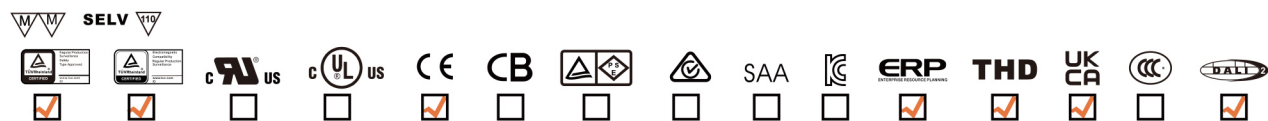


Characteristics

Input Voltage Range:220-240VAC 50Hz/60Hz (power factor measured at AC230V and full load)



Model No.	Constant output voltage	Max output current	Power	PF	Ta	Tc	L x W x H
SDN200-24VL6	24V	8.33A	20-200W	≥0.95	45°C	90°C	334.8x41.5x27.5
SDN200-48VL6	48V	4.16A	20-200W	≥0.95	45°C	90°C	334.8x41.5x27.5
SDN200-24VL8	24V	8.33A	20-200W	≥0.95	45°C	90°C	334.8x41.5x27.5
SDN240-24VL6	24V	10A	24-240W	≥0.95	45°C	90°C	334.8x41.5x27.5
SDN240-48VL6	48V	5A	24-240W	≥0.95	45°C	90°C	334.8x41.5x27.5
SDN240-24VL8	24V	10A	24-240W	≥0.95	45°C	90°C	334.8x41.5x27.5



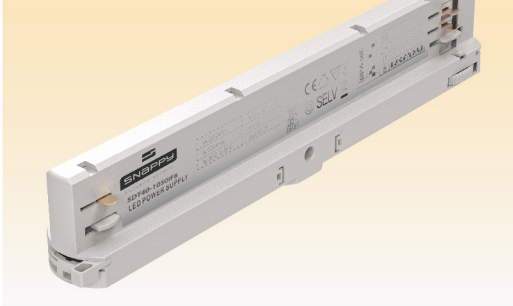
DALI 2.0 Constant Current Dimmable Series



SDT12-IF6/SDT30-IF6
SDT40-IF6



CC Version

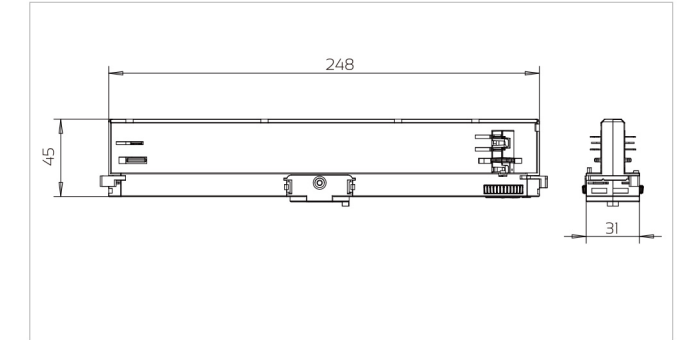
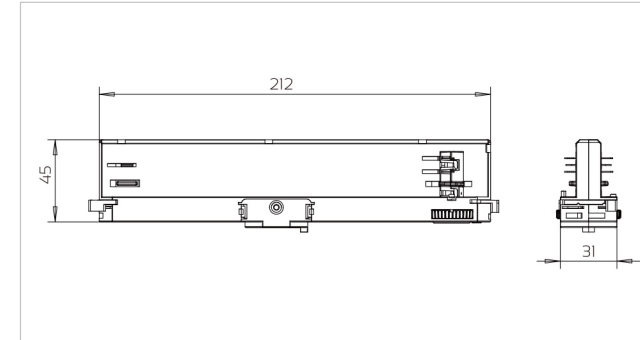


Reliable Technical Data

- Input Voltage Range:220-240VAC
 - Input Frequency:50/60Hz
 - Output Power:12W/30W/40W
 - Body: Plastic case
 - Open Circuit; Short Circuit; Over Load;
-
- Safety According to EN61347-1, EN61347-2-13
 - EMI According to EN55015
 - EMS According to EN61000-3-2; EN61000-3-3; EN61547
 - EMF According to EN62493
 - ERP According to EU2019-2020
 - DALI 2 IEC62386



Dimension in mm



SDT12-350IF6

Vo	Po	Io	1	2	3
9-42VDC	5.04W	120mA	/	/	/
9-42VDC	6.3W	150mA	/	/	ON
9-42VDC	7.56W	180mA	/	ON	/
9-42VDC	8.4W	200mA	/	ON	ON
9-42VDC	10.5W	250mA	ON	/	/
9-42VDC	11.76W	280mA	ON	/	ON
9-42VDC	12.6W	300mA	ON	ON	/
9-42VDC	14.7W	350mA	ON	ON	ON

SDT30-700IF6

Vo	Po	Io	1	2	3
9-42VDC	14.7W	350mA	/	/	/
9-42VDC	16.8W	400mA	ON	/	/
9-42VDC	18.9W	450mA	/	ON	/
9-42VDC	21W	500mA	ON	ON	/
9-42VDC	23.1W	550mA	/	/	ON
9-42VDC	25.2W	600mA	ON	/	ON
9-42VDC	27.3W	650mA	/	ON	ON
9-42VDC	29.4W	700mA	ON	ON	ON

SDT40-1050IF6

Vo	Po	Io	1	2	3
9-42VDC	29.4W	700mA	/	/	/
9-42VDC	31.5W	750mA	ON	/	/
9-42VDC	33.6W	800mA	/	ON	/
9-42VDC	35.7W	850mA	ON	ON	/
9-42VDC	37.8W	900mA	/	/	ON
9-42VDC	39.9W	950mA	ON	/	ON
9-42VDC	40W	1000mA	/	ON	ON
9-38.5VDC	40.4W	1050mA	ON	ON	ON

Characteristics

Input Voltage Range: AC220-240V 50/60Hz (power factor measured at AC230V and full load)

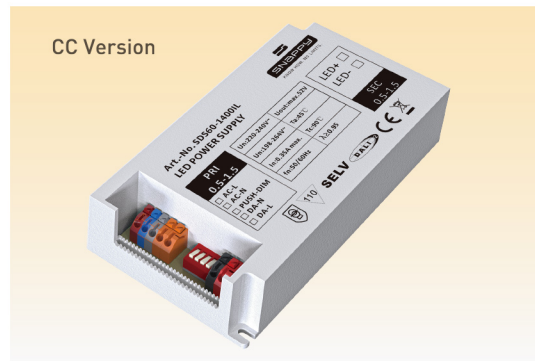


Model No.	Constant output current	Load	Output current range	PF	Ta	Tc	L x W x H
SDT12-350IF6	120-350mA	5.04-14.7W	9-42VDC	≥0.9	35°C	70°C	212x31x45
SDT30-700IF6	350-700mA	14.7-29.4W	9-42VDC	≥0.9	35°C	70°C	248x31x45
SDT40-700IF6	700-1050mA	29.4-40.4W	9-42VDC	≥0.9	35°C	70°C	248x31x45



DALI 2.0 Constant Current Dimmable Series

SDS6-IL/SDS12-IL/SDS26-IL
SDS44-IL/SDS60-IL



Reliable Technical Data

- Input Voltage Range:220-240VAC
- Input Frequency:50Hz/60Hz
- Output Power:6W/12W/26W/44W/60W
- Body: Plastic case
- Open Circuit; Short Circuit; Over Load;
- Over Heat Protection
- Safety According to EN61347-1, EN61347-2-13
- EMI According to EN55015
- EMS According to EN61000-3-2; EN61000-3-3; EN61547
- EMF According to EN62493
- ERP According to EU2019-2020
- DALI 2 IEC62386

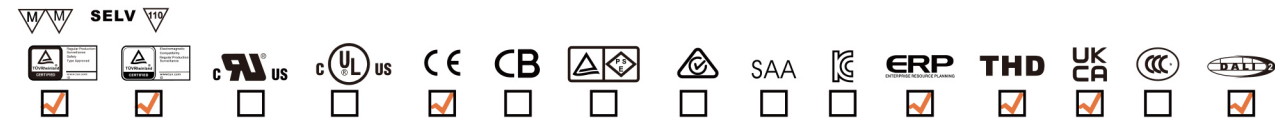


Characteristics

Input Voltage Range: AC220-240V 50/60Hz (power factor measured at AC230V and full load)



Model No.	Constant output current	Load	Output current range	PF	Ta	Tc	L x W x H
SDS6-350IL	120-350mA	1.8-6W	9-42VDC	≥0.9	45°C	75°C	68.5x35x23.2
SDS12-350IL	120-350mA	1.8-12W	9-42VDC	≥0.9	45°C	80°C	85x40x21.5
SDS26-700IL	150-700mA	2.2-26W	9-52VDC	≥0.9	45°C	90°C	97x43x30
SDS44-1050IL	700-1050mA	10.5-44W	9-52VDC	≥0.9	45°C	90°C	97x43x30
SDS60-1400IL	700-1500mA	10.5-60W	9-52VDC	≥0.9	45°C	90°C	110x74x30



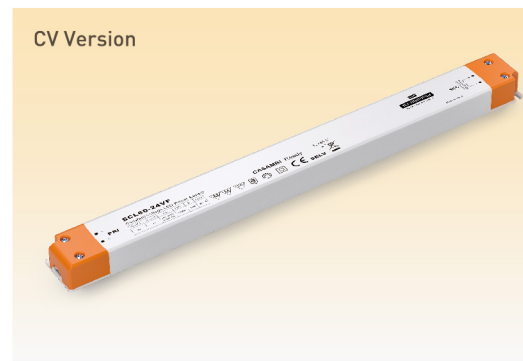
CASAMBI Linetype Series



SCL60-VF/SCL100-VF/SCL150-VF



CV Version



Reliable Technical Data

- Input Voltage Range:200-240VAC
- Input Frequency:50/60Hz
- Output Power:60W/100W/150W
- Body: Plastic case
- Open Circuit; Short Circuit; Over Load;
- Safety According to EN61347-1, EN61347-2-13
- EMI According to EN55015
- EMS According to EN61000-3-2; EN61000-3-3; EN61547
- EMF According to EN62493
- ERP According to EU2019-2020



Characteristics

Input Voltage Range: AC200-240V 50/60Hz (power factor measured at AC230V and full load)

Model No.	Constant output voltage	Load	Max output current	PF	Ta	Tc	L x W x H
SCL60-24VF	24V	0-60W	2.5A	≥0.9	45°C	85°C	304.6x30x16.7
SCL100-24VF	24V	0-100W	4.2A	≥0.9	45°C	85°C	304.6x30x16.7
SCL150-24VF	24V	0-150W	6.25A	≥0.9	45°C	85°C	304.6x30x16.7



Regular & Super Slim Series

IP20 Regular Series



SE8-VL

CV Version



Reliable Technical Data

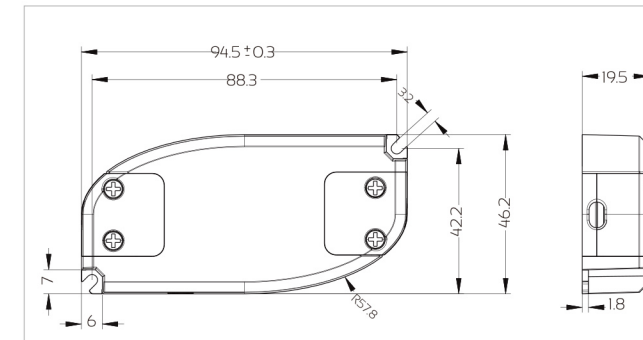
- Input Voltage Range: 200-240VAC
- Input Frequency: 50/60Hz
- Output Power: 8W
- Body: PC
- Open Circuit; Short Circuit; Over Load;

- Safety According to EN61347-1, EN61347-2-13
- EMI According to EN55015
- EMS According to EN61000-3-2; EN61000-3-3; EN61547
- EMF According to EN62493
- ERP According to EU2019-2020

Comply to latest EN IEC 61000-3-2:2019



Dimension in mm



Characteristics

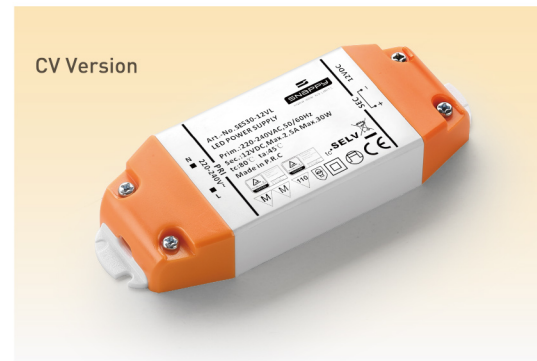
Input Voltage Range: AC200-240V 50/60Hz (power factor measured at AC230V and full load)

Model No.	Constant output voltage	Load	Max output current	PF	Ta	Tc	L x W x H
SE8-12VL	12V	0-8W	0.67A	≥0.8	45°C	75°C	94.5x46.2x19.5
SE8-24VL	24V	0-8W	0.33A	≥0.8	45°C	75°C	94.5x46.2x19.5



IP20 Regular Series

SS/SES20-VL
SS/SES24-VL
SS/SES30-VL

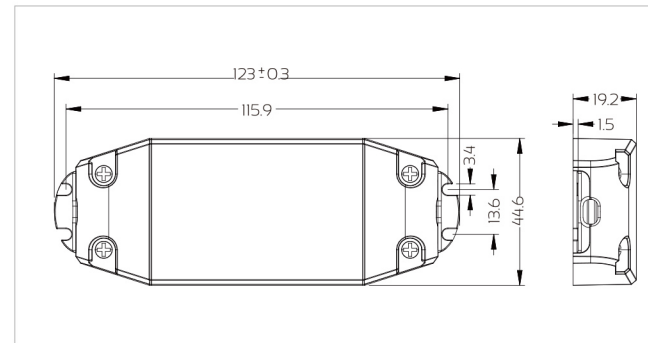


Reliable Technical Data

- Input Voltage Range:220-240VAC
- Input Frequency:50/60Hz
- Output Power:20W/24W/30W
- Body: PC
- Open Circuit; Short Circuit; Over Load;
- Safety According to EN61347-1, EN61347-2-13
- EMI According to EN55015
- EMS According to EN61000-3-2; EN61000-3-3; EN61547
- EMF According to EN62493
- ERP According to EU2019-2020



Dimension in mm



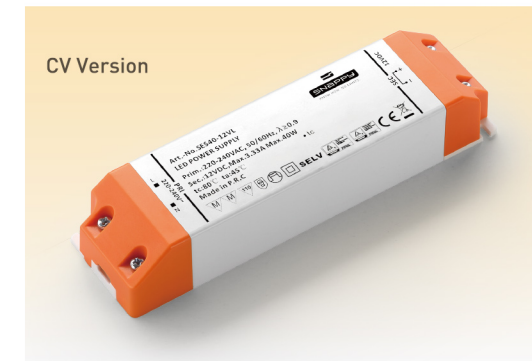
Characteristics

Input Voltage Range: AC220-240V 50/60Hz (power factor measured at AC230V and full load)

Model No.	Constant output voltage	Load	Max output current	PF	Ta	Tc	L x W x H
SS/SES20-12VL	12V	0-20W	1.67A	≥0.9	45°C	75°C	123x44.6x19.2
SS/SES20-24VL	24V	0-20W	0.83A	≥0.9	45°C	75°C	123x44.6x19.2
SS/SES24-12VL	12V	0-24W	2A	≥0.95	45°C	80°C	123x44.6x19.2
SS/SES24-24VL	24V	0-24W	1A	≥0.95	45°C	80°C	123x44.6x19.2
SS/SES30-12VL	12V	0-30W	2.5A	≥0.9	45°C	80°C	123x44.6x19.2
SS/SES30-24VL	24V	0-30W	1.25A	≥0.9	45°C	80°C	123x44.6x19.2



SS/SES36-VL
SS/SES40-VL
SS/SES50-VL

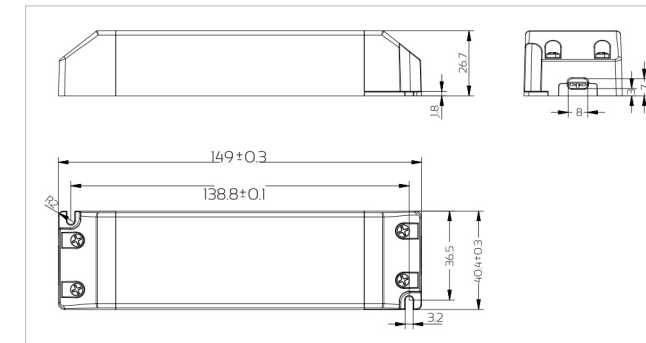


Reliable Technical Data

- Input Voltage Range:220-240VAC
- Input Frequency:50/60Hz
- Output Power:36W/40W/50W
- Body: PC
- Open Circuit; Short Circuit; Over Load;
- Safety According to EN61347-1, EN61347-2-13
- EMI According to EN55015
- EMS According to EN61000-3-2; EN61000-3-3; EN61547
- EMF According to EN62493
- ERP According to EU2019-2020



Dimension in mm



Characteristics

Input Voltage Range: AC220-240V 50/60Hz (power factor measured at AC230V and full load)

Model No.	Constant output voltage	Load	Max output current	PF	Ta	Tc	L x W x H
SS/SES36-12VL	12V	0-36W	3A	≥0.95	45°C	85°C	149x40.4x26.7
SS/SES36-24VL	24V	0-36W	1.5A	≥0.95	45°C	85°C	149x40.4x26.7
SS/SES40-12VL	12V	0-40W	3.33A	≥0.9	45°C	80°C	149x40.4x26.7
SS/SES40-24VL	24V	0-40W	1.67A	≥0.9	45°C	80°C	149x40.4x26.7
SS/SES50-12VL	12V	0-50W	4.16A	≥0.9	45°C	90°C	149x40.4x26.7
SS/SES50-24VL	24V	0-50W	2.08A	≥0.9	45°C	90°C	149x40.4x26.7



SS/SES60-VL SS/SES100-VL
SS/SES75-VL SS/SES150-VL

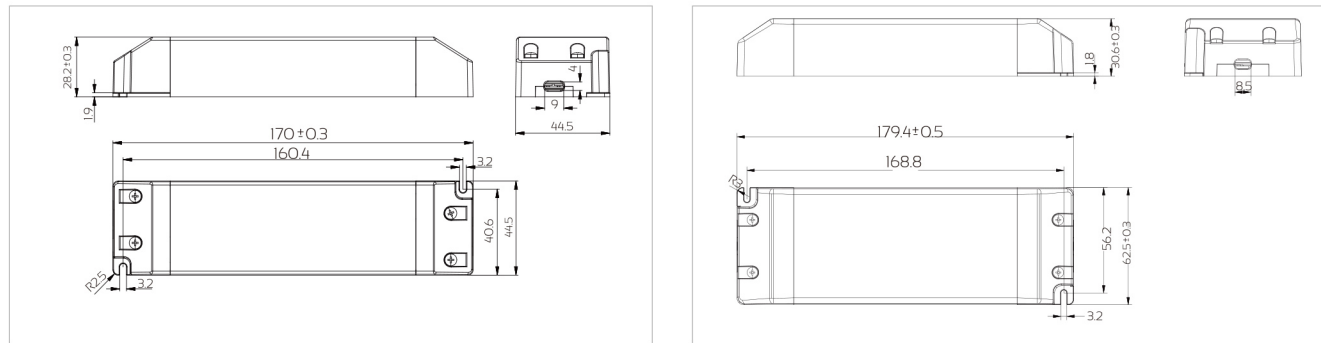


Reliable Technical Data

- Input Voltage Range:220-240VAC
 - Input Frequency:50/60Hz
 - Output Power:60W/75W/100W/150W
 - Body: PC
 - Open Circuit; Short Circuit; Over Load;
-
- Safety According to EN61347-1, EN61347-2-13
 - EMI According to EN55015
 - EMS According to EN61000-3-2; EN61000-3-3; EN61547
 - EMF According to EN62493
 - ERP According to EU2019-2020



Dimension in mm



Characteristics

Input Voltage Range: AC220-240V 50/60Hz (power factor measured at AC230V and full load)

Model No.	Constant output voltage	Load	Max output current	PF	Ta	Tc	L x W x H
SS/SES60-12VL	12V	0-60W	5A	≥0.9	45°C	85°C	170x44.5x28.2
SS/SES60-24VL	24V	0-60W	2.5A	≥0.9	45°C	85°C	170x44.5x28.2
SS/SES60-48VL	48V	0-60W	1.25A	≥0.9	45°C	90°C	170x44.5x28.2
SS/SES75-12VL	12V	0-75W	6.25A	≥0.9	45°C	90°C	170x44.5x28.2
SS/SES75-24VL	24V	0-75W	3.125A	≥0.9	45°C	90°C	170x44.5x28.2
SS/SES100-12VL	12V	0-100W	8.33A	≥0.97	45°C	90°C	170x44.5x28.2
SS/SES100-24VL	24V	0-100W	4.16A	≥0.97	45°C	90°C	170x44.5x28.2
SS/SES150-12VL	12V	0-132W	11A	≥0.95	45°C	90°C	179.4x62.5x30.6
SS/SES150-24VL	24V	0-150W	6.25A	≥0.95	45°C	90°C	179.4x62.5x30.6
SS/SES150-48VL	48V	0-150W	3.12A	≥0.95	45°C	90°C	179.4x62.5x30.6



SNP200-VL-1/SNP250-VL-1/SNP320-VL-1

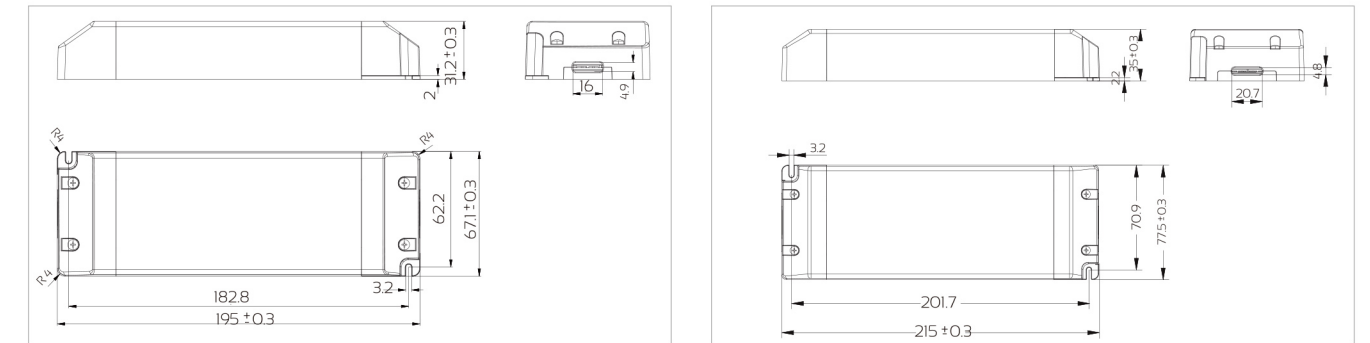


Reliable Technical Data

- Input Voltage Range:200-240VAC
 - Input Frequency:50/60Hz
 - Output Power:200W/250W/320W
 - Body: PC
 - Open Circuit; Short Circuit; Over Load;
-
- Safety According to EN61347-1, EN61347-2-13
 - EMI According to EN55015
 - EMS According to EN61000-3-2; EN61000-3-3; EN61547
 - EMF According to EN62493
 - ERP According to EU2019-2020



Dimension in mm



Characteristics

Input Voltage Range: AC200-240V 50/60Hz (power factor measured at AC230V and full load)

Model No.	Constant output voltage	Load	Max output current	PF	Ta	Tc	L x W x H
SNP200-12VL-1	12V	0-180W	15A	≥0.95	45°C	80°C	195x67.1x31.2
SNP200-24VL-1	24V	0-200W	8.33A	≥0.95	45°C	80°C	195x67.1x31.2
SNP250-12VL-1	12V	0-216W	18A	≥0.95	45°C	90°C	195x67.1x31.2
SNP250-24VL-1	24V	0-250W	10.4A	≥0.95	45°C	90°C	195x67.1x31.2
SNP320-12VL-1	12V	0-260W	21.7A	>0.95	45°C	85°C	215x77.5x35
SNP320-24VL-1	24V	0-320W	13.3A	>0.95	45°C	85°C	215x77.5x35
SNP320-48VL-1	48V	0-320W	6.67A	>0.95	45°C	85°C	215x77.5x35



SEA8-VL/SEA12-VL/SEA15-VL NEW!

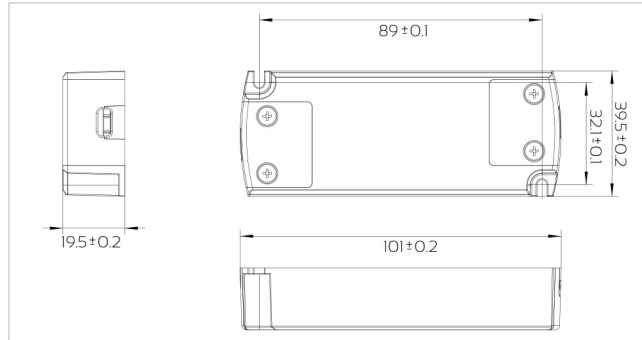


Reliable Technical Data

- Input Voltage Range:200-240VAC
 - Input Frequency:50/60Hz
 - Output Power:8W/12W/15W
 - Body: PC
 - Open Circuit; Short Circuit; Over Load;
-
- Safety According to EN61347-1, EN61347-2-13
 - EMI According to EN55015
 - EMS According to EN61000-3-2; EN61000-3-3; EN61547
 - EMF According to EN62493
 - ERP According to EU2019-2020



Dimension in mm



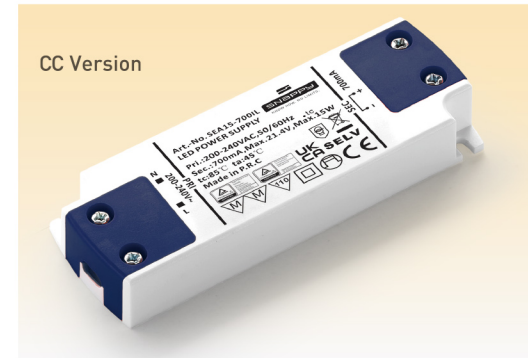
Characteristics

Input Voltage Range: AC200-240V 50/60Hz (power factor measured at AC230V and full load)

Model No.	Constant output voltage	Load	Max output current	PF	Ta	Tc	L x W x H
SEA8-12VL	12V	0-8W	0.67A	≥0.7	45°C	80°C	101x39.5x19.5
SEA8-24VL	24V	0-8W	0.33A	≥0.7	45°C	80°C	101x39.5x19.5
SEA12-12VL	12V	0-12W	1A	≥0.7	45°C	80°C	101x39.5x19.5
SEA12-24VL	24V	0-12W	0.5A	≥0.7	45°C	80°C	101x39.5x19.5
SEA15-12VL	12V	0-15W	1.25A	≥0.84	45°C	85°C	101x39.5x19.5
SEA15-24VL	24V	0-15W	0.625A	≥0.84	45°C	85°C	101x39.5x19.5



SEA15-IL NEW!

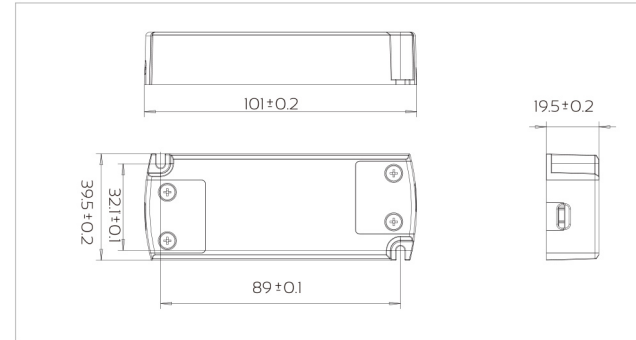


Reliable Technical Data

- Input Voltage Range:200-240VAC
 - Input Frequency:50/60Hz
 - Output Power:15W
 - Body: PC
 - Open Circuit; Short Circuit; Over Load;
-
- Safety According to EN61347-1, EN61347-2-13
 - EMI According to EN55015
 - EMS According to EN61000-3-2; EN61000-3-3; EN61547
 - EMF According to EN62493
 - ERP According to EU2019-2020



Dimension in mm



Characteristics

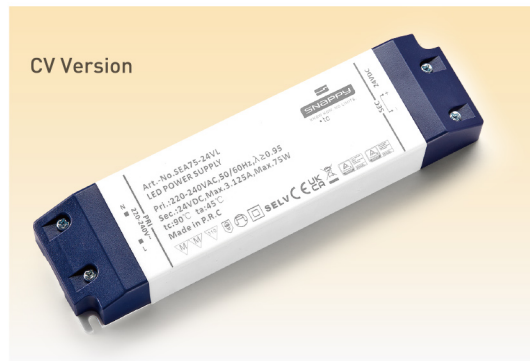
Input Voltage Range: AC200-240V 50/60Hz (power factor measured at AC230V and full load)

Model No.	Constant output current	Load	Output current range	PF	Ta	Tc	L x W x H
SEA15-350IL	350mA	7.5-15W	21.4-42.8V	≥0.80	45°C	85°C	101x39.5x19.5
SEA15-500IL	500mA	7.5-15W	15-30V	≥0.80	45°C	85°C	101x39.5x19.5
SEA15-700IL	700mA	7.5-15W	10.7-21.4V	≥0.80	45°C	85°C	101x39.5x19.5



SEA60-VL/SEA75-VL

NEW!

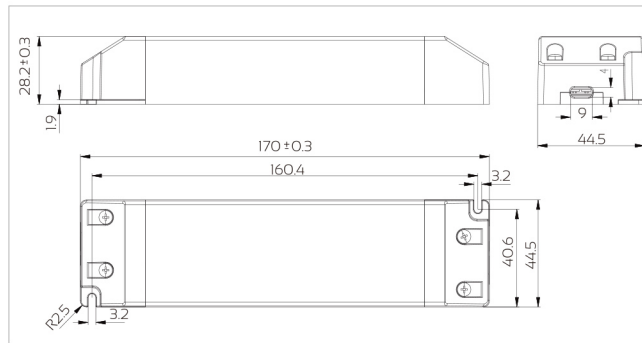


Reliable Technical Data

- Input Voltage Range: 220-240VAC
 - Input Frequency: 50/60Hz
 - Output Power: 60W/75W
 - Body: PC
 - Open Circuit; Short Circuit; Over Load;
-
- Safety According to EN61347-1, EN61347-2-13
 - EMI According to EN55015
 - EMS According to EN61000-3-2; EN61000-3-3; EN61547
 - EMF According to EN62493
 - ERP According to EU2019-2020



Dimension in mm



Characteristics

Input Voltage Range: AC220-240V 50/60Hz (power factor measured at AC230V and full load)

Model No.	Constant output voltage	Load	Max output current	PF	Ta	Tc	L x W x H
SEA60-12VL	12V	0-60W	5A	≥0.9	45°C	85°C	170x44.5x28.2
SEA60-24VL	24V	0-60W	2.5A	≥0.9	45°C	85°C	170x44.5x28.2
SEA75-12VL	12V	0-75W	6.25A	≥0.9	45°C	90°C	170x44.5x28.2
SEA75-24VL	24V	0-75W	3.125A	≥0.9	45°C	90°C	170x44.5x28.2



SEA120-VL/SEA180-VL

NEW!

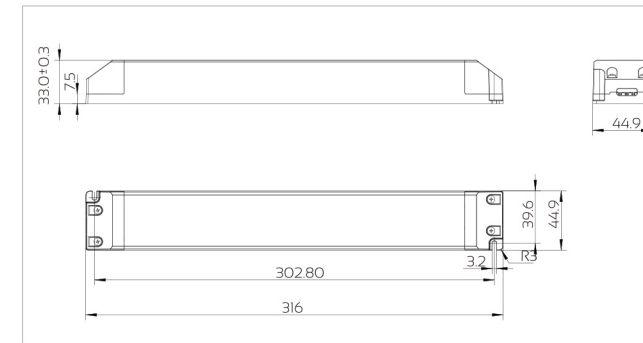


Reliable Technical Data

- Input Voltage Range: 220-240VAC
 - Input Frequency: 50/60Hz
 - Output Power: 120W/180W
 - Body: PC
 - Open Circuit; Short Circuit; Over Load;
-
- Safety According to EN61347-1, EN61347-2-13
 - EMI According to EN55015
 - EMS According to EN61000-3-2; EN61000-3-3; EN61547
 - EMF According to EN62493
 - ERP According to EU2019-2020



Dimension in mm



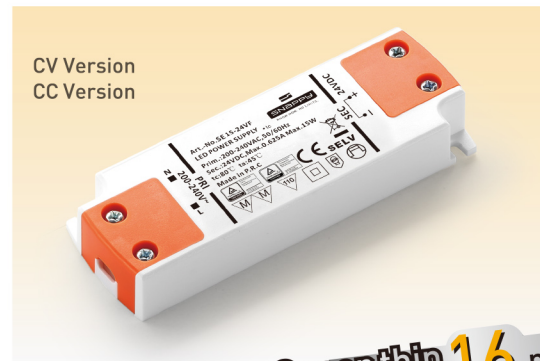
Characteristics

Input Voltage Range: AC220-240V 50/60Hz (power factor measured at AC230V and full load)

Model No.	Constant output voltage	Load	Max output current	PF	Ta	Tc	L x W x H
SEA120-24VL	24V	0-120W	5A	≥0.9	45°C	85°C	316x44.9x33
SEA180-24VL	24V	0-180W	7.5A	≥0.95	45°C	85°C	316x44.9x33



SE15-VF/SE20-VF/SE15-IF/SE20-IF



Super thin 16 mm
Thickness only

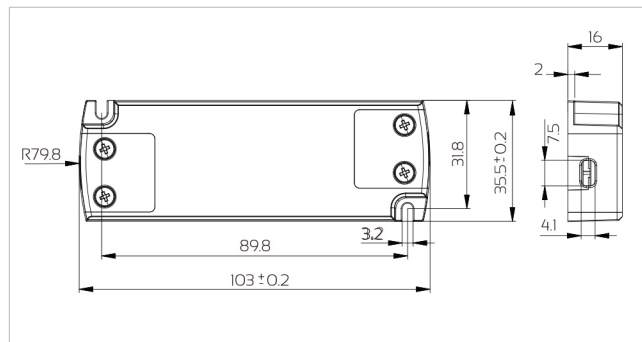
Reliable Technical Data

- Input Voltage Range: 200-240VAC
 - Input Frequency: 50/60Hz
 - Output Power: 15W/20W
 - Body: PC
 - Open Circuit; Short Circuit; Over Load;
-
- Safety According to EN61347-1, EN61347-2-13
 - EMI According to EN55015
 - EMS According to EN61000-3-2; EN61000-3-3; EN61547
 - EMF According to EN62493
 - ERP According to EU2019-2020

Comply to latest EN IEC 61000-3-2:2019



Dimension in mm



Characteristics

Input Voltage Range: AC200-240V 50/60Hz (power factor measured at AC230V and full load)

Model No.	Constant output voltage	Load	Max output current	PF	Ta	Tc	L x W x H
SE15-12VF	12V	0-15W	1.25A	≥0.8	45°C	85°C	103x35.5x16
SE15-24VF	24V	0-15W	0.625A	≥0.8	45°C	85°C	103x35.5x16
SE20-12VF	12V	0-20W	1.67A	≥0.84	45°C	85°C	103x35.5x16
SE20-24VF	24V	0-20W	0.84A	≥0.84	45°C	85°C	103x35.5x16

Model No.	Constant output current	Load	Output current range	PF	Ta	Tc	L x W x H
SE15-350IF	350mA	7.5-15W	21.4-42.8V	≥0.80	45°C	85°C	103x35.5x16
SE15-500IF	500mA	7.5-15W	15-30V	≥0.80	45°C	85°C	103x35.5x16
SE15-700IF	700mA	7.5-15W	10.7-21.4V	≥0.80	45°C	85°C	103x35.5x16
SE20-350IF	350mA	10-20W	28.6-57.2V	≥0.80	45°C	85°C	103x35.5x16
SE20-500IF	500mA	10-20W	20-40V	≥0.80	45°C	85°C	103x35.5x16
SE20-700IF	700mA	10-20W	14.3-28.6V	≥0.80	45°C	85°C	103x35.5x16



SS/SES20-VF SS/SES30-VF SS/SES40-VF



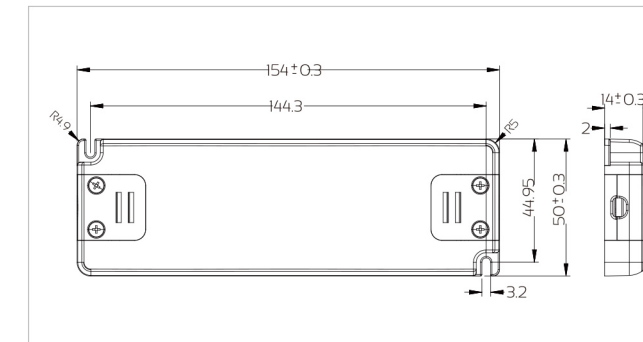
Super thin 14 mm
Thickness only

Reliable Technical Data

- Input Voltage Range: 220-240VAC
 - Input Frequency: 50/60Hz
 - Output Power: 20W/30W/40W
 - Body: PC
 - Open Circuit; Short Circuit; Over Load;
-
- Safety According to EN61347-1, EN61347-2-13
 - EMI According to EN55015
 - EMS According to EN61000-3-2; EN61000-3-3; EN61547
 - EMF According to EN62493
 - ERP According to EU2019-2020



Dimension in mm



Characteristics

Input Voltage Range: AC220-240V 50/60Hz (power factor measured at AC230V and full load)

Model No.	Constant output voltage	Load	Max output current	PF	Ta	Tc	L x W x H
SS/SES20-12VF	12V	0-20W	1.67A	≥0.95	45°C	80°C	154x50x14
SS/SES20-24VF	24V	0-20W	0.84A	≥0.95	45°C	80°C	154x50x14
SS/SES30-12VF	12V	0-30W	2.5A	≥0.95	45°C	85°C	154x50x14
SS/SES30-24VF	24V	0-30W	1.25A	≥0.95	45°C	85°C	154x50x14
SS/SES30-48VF	48V	0-30W	0.625A	≥0.95	45°C	85°C	154x50x14
SS/SES40-12VF	12V	0-40W	3.33A	≥0.95	45°C	85°C	154x50x14
SS/SES40-24VF	24V	0-40W	1.67A	≥0.95	45°C	85°C	154x50x14



♥ IP20 Super Slim Series

SS/SES50-VF
SS/SES60-VF
SS/SES75-VF

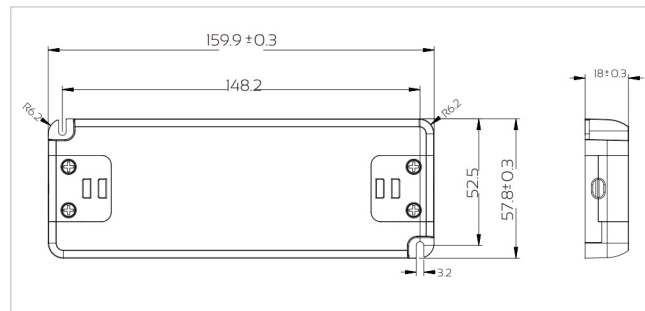


Reliable Technical Data

- Input Voltage Range:220-240VAC
- Input Frequency:50/60Hz
- Output Power:50W/60W/75W
- Body: PC
- Open Circuit; Short Circuit; Over Load;
- Safety According to EN61347-1, EN61347-2-13
- EMI According to EN55015
- EMS According to EN61000-3-2; EN61000-3-3; EN61547
- EMF According to EN62493
- ERP According to EU2019-2020



Dimension in mm



Characteristics

Input Voltage Range: AC220-240V 50/60Hz (power factor measured at AC230V and full load)

Model No.	Constant output voltage	Load	Max output current	PF	Ta	Tc	L x W x H
SS/SES50-12VF	12V	0-50W	4.17A	≥0.97	45°C	80°C	159.9x57.8x18
SS/SES50-24VF	24V	0-50W	2.08A	≥0.97	45°C	80°C	159.9x57.8x18
SS/SES60-12VF	12V	0-60W	5.0A	≥0.95	45°C	85°C	159.9x57.8x18
SS/SES60-24VF	24V	0-60W	2.5A	≥0.95	45°C	85°C	159.9x57.8x18
SS/SES60-48VF	48V	0-60W	1.25A	≥0.95	45°C	85°C	159.9x57.8x18
SS/SES75-12VF	12V	0-75W	6.25A	≥0.95	45°C	90°C	177x56.4x17.2
SS/SES75-24VF	24V	0-75W	3.125A	≥0.95	45°C	90°C	177x56.4x17.2



SNP100-VF-2/SNP150-VF-2

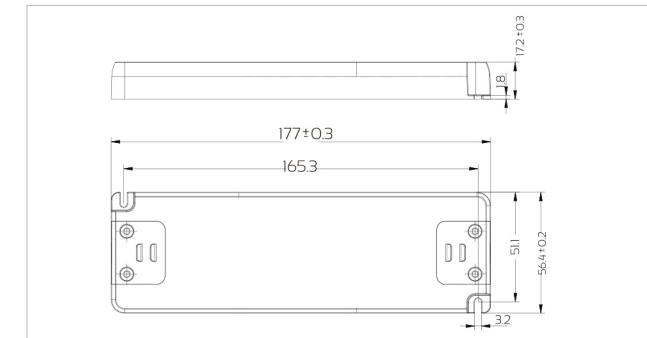


Reliable Technical Data

- Input Voltage Range:200-240VAC
- Input Frequency:50/60Hz
- Output Power:100W/150W
- Body: PC
- Open Circuit; Short Circuit; Over Load;
- Over Heat Protection
- Safety According to EN61347-1, EN61347-2-13
- EMI According to EN55015
- EMS According to EN61000-3-2; EN61000-3-3; EN61547
- EMF According to EN62493
- ERP According to EU2019-2020



Dimension in mm



Characteristics

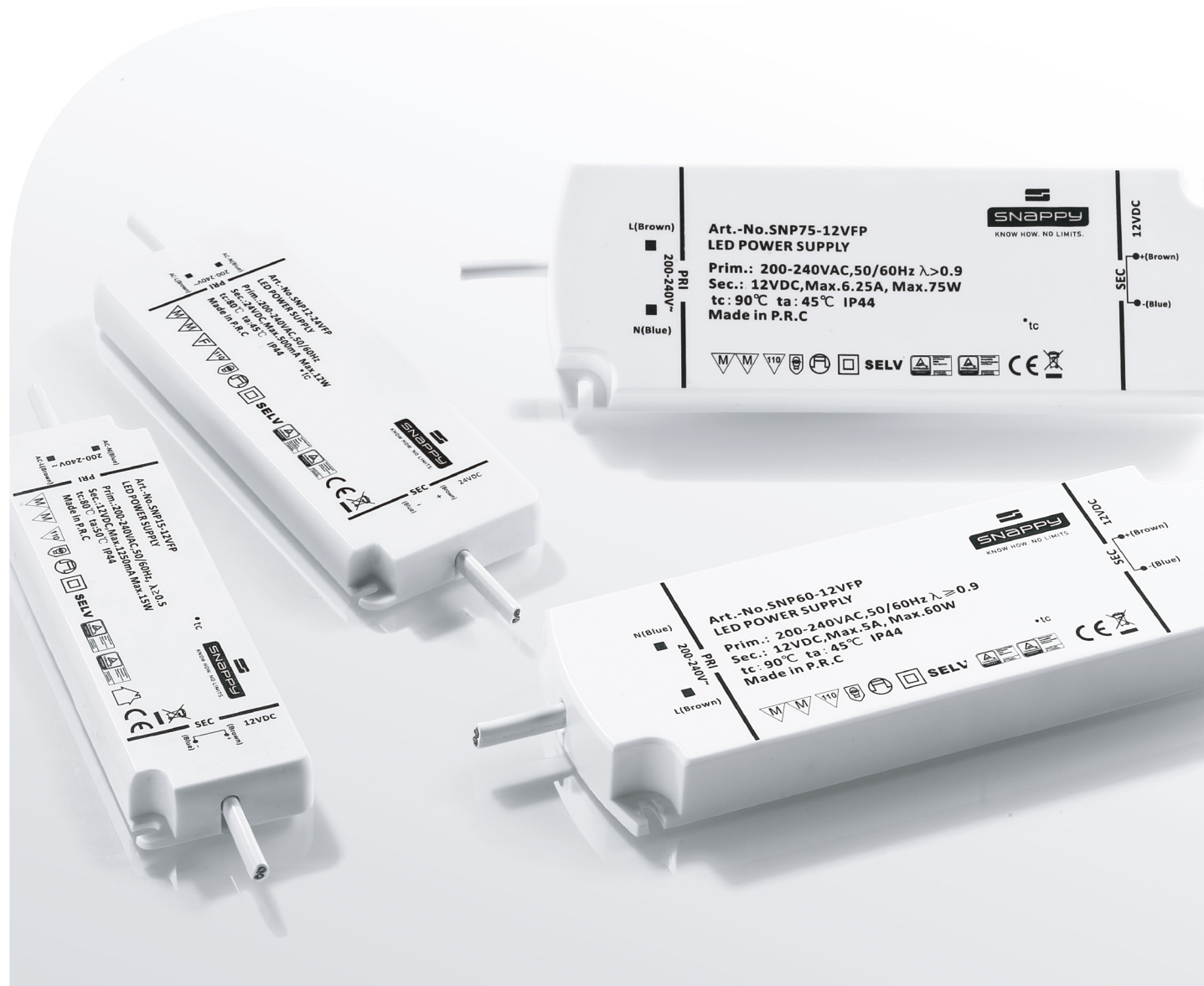
Input Voltage Range: AC200-240V 50/60Hz (power factor measured at AC230V and full load)

Model No.	Constant output voltage	Load	Max output current	PF	Ta	Tc	L x W x H
SNP100-12VF-2	12V	0-100W	8.33A	≥0.95	45°C	90°C	177x56.4x17.2
SNP100-24VF-2	24V	0-100W	4.17A	≥0.95	45°C	90°C	177x56.4x17.2
SNP100-48VF-2	48V	0-100W	2.08A	≥0.95	45°C	90°C	177x56.4x17.2
SNP150-12VF-2	12V	0-132W	11A	≥0.95	45°C	90°C	177x56.4x17.2
SNP150-24VF-2	24V	0-150W	6.25A	≥0.95	45°C	90°C	177x56.4x17.2

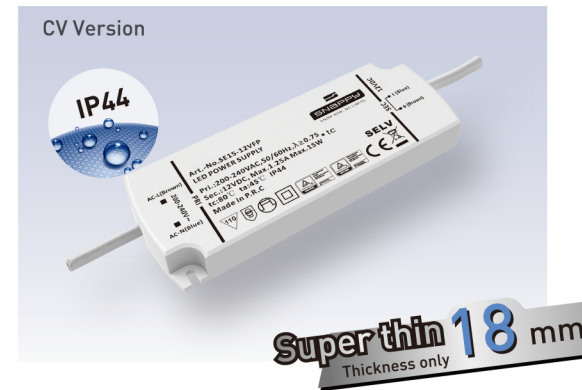


Regular & Super Slim Series

IP44 Super Slim Series



SE15-VFP/SE20-VFP

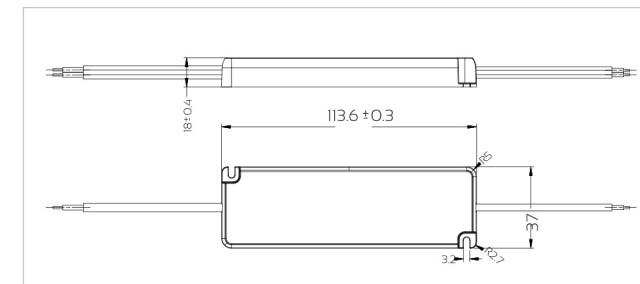


Reliable Technical Data

- Input Voltage Range:200-240VAC
 - Input Frequency:50/60Hz
 - Output Power:15W/20W
 - Dimension:L113.6xW37xH18mm
 - Body: PC Body with Protection Grade IP44
 - Open Circuit; Short Circuit; Over Load;
 - Over Heat Protection
-
- Safety According to EN61347-1, EN61347-2-13
 - EMI According to EN55015
 - EMS According to EN61000-3-2; EN61000-3-3; EN61547
 - EMF According to EN62493
 - ERP According to EU2019-2020



Dimension in mm



Characteristics

Input Voltage Range: AC200-240V 50/60Hz [power factor measured at AC230V and full load]

Model No.	Constant output voltage	Load	Max output Current	PF	Ta	Tc	L x W x H	IP
SE15-12VFP	12V	0-15W	1.25A	≥0.8	45°C	80°C	113.6x37x18	IP44
SE15-24VFP	24V	0-15W	0.625A	≥0.8	45°C	80°C	113.6x37x18	IP44
SE20-12VFP	12V	0-20W	1.67A	≥0.8	45°C	85°C	113.6x37x18	IP44
SE20-24VFP	24V	0-20W	0.833A	≥0.8	45°C	85°C	113.6x37x18	IP44



SS/SES30-VFP
SS/SES40-VFP

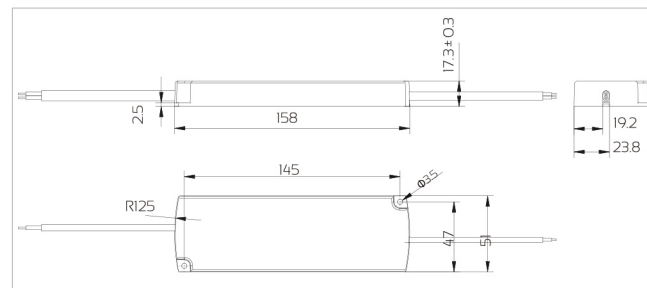


Reliable Technical Data

- Input Voltage Range:220-240VAC
 - Input Frequency:50/60Hz
 - Output Power:30W/40W
 - Dimension:L158xW51x17.3mm
 - Body: PC Body with Protection Grade IP44
 - Open Circuit; Short Circuit; Over Load;
 - Over Heat Protection
- Safety According to EN61347-1, EN61347-2-13
 - EMI According to EN55015
 - EMS According to EN61000-3-2; EN61000-3-3; EN61547
 - EMF According to EN62493
 - ERP According to EU2019-2020



Dimension in mm



Characteristics

Input Voltage Range: AC220-240V 50/60Hz (power factor measured at AC230V and full load)

Model No.	Constant output voltage	Load	Max output Current	PF	Ta	Tc	L x W x H	IP
SS/SES30-12VFP	12V	0-30W	2.5A	≥0.95	45°C	85°C	158x51x17.3	IP44
SS/SES30-24VFP	24V	0-30W	1.25A	≥0.95	45°C	85°C	158x51x17.3	IP44
SS/SES40-12VFP	12V	0-40W	3.33A	≥0.95	45°C	85°C	158x51x17.3	IP44
SS/SES40-24VFP	24V	0-40W	1.67A	≥0.95	45°C	85°C	158x51x17.3	IP44



SS/SES60-VFP

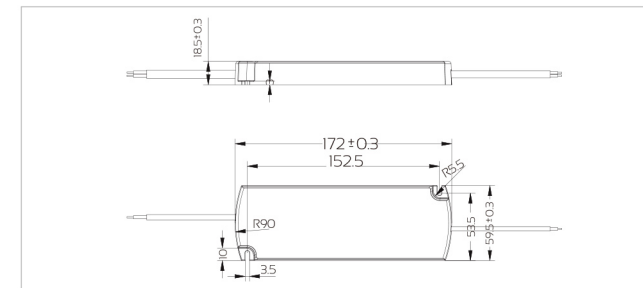


Reliable Technical Data

- Input Voltage Range:220-240VAC
 - Input Frequency:50/60Hz
 - Output Power:60W
 - Dimension:L172xW59.5xH18.5mm
 - Body: PC Body with Protection Grade IP44
 - Open Circuit; Short Circuit; Over Load;
 - Over Heat Protection
- Safety According to EN61347-1, EN61347-2-13
 - EMI According to EN55015
 - EMS According to EN61000-3-2; EN61000-3-3; EN61547
 - EMF According to EN62493-2010
 - ERP According to EU2019-2020



Dimension in mm



Characteristics

Input Voltage Range: AC220-240V 50/60Hz (power factor measured at AC230V and full load)

Model No.	Constant output voltage	Load	Max output Current	PF	Ta	Tc	L x W x H	IP
SS/SES60-12VFP	12V	0-60W	5.0A	≥0.95	45°C	85°C	172x59.5x18.5	IP44
SS/SES60-24VFP	24V	0-60W	2.5A	≥0.95	45°C	85°C	172x59.5x18.5	IP44



SNP75-VFP

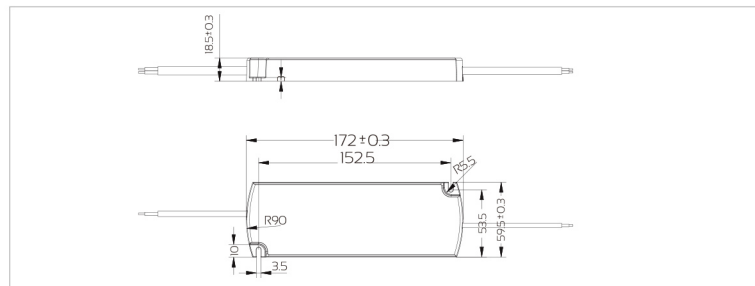


Reliable Technical Data

- Input Voltage Range:200-240VAC
 - Input Frequency:50/60Hz
 - Output Power:75W
 - Dimension:L172xW59.5xH18.5mm
 - Body: PC Body with Protection Grade IP44
 - Open Circuit; Short Circuit; Over Load;
 - Over Heat Protection
- Safety According to EN61347-1, EN61347-2-13
 - EMI According to EN55015
 - EMS According to EN61000-3-2; EN61000-3-3; EN61547
 - EMF According to EN62493
 - ERP According to EN1194-2012



Dimension in mm



Characteristics

Input Voltage Range: AC200-240V 50/60Hz (power factor measured at AC230V and full load)

Model No.	Constant output voltage	Load	Max output Current	PF	Ta	Tc	L x W x H	IP
SNP75-12VFP	12V	0-75W	6.25A	≥0.9	45°C	90°C	172x59.5x18.5	IP44
SNP75-24VFP	24V	0-75W	3.12A	≥0.9	45°C	90°C	172x59.5x18.5	IP44



SNP100-VFP

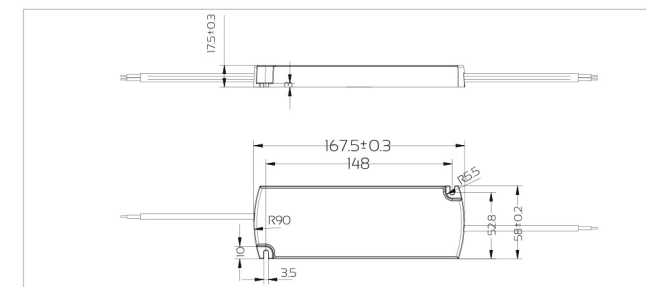


Reliable Technical Data

- Input Voltage Range:200-240VAC
 - Input Frequency:50/60Hz
 - Output Power:100W
 - Dimension:L167.5xW58xH17.5mm
 - Body: PC Body with Protection Grade IP44
 - Open Circuit; Short Circuit; Over Load;
 - Over Heat Protection
- Safety According to EN61347-1, EN61347-2-13
 - EMI According to EN55015
 - EMS According to EN61000-3-2; EN61000-3-3; EN61547
 - EMF According to EN62493
 - ERP According to EN1194-2012



Dimension in mm



Characteristics

Input Voltage Range: AC200-240V 50/60Hz (power factor measured at AC230V and full load)

Model No.	Constant output voltage	Load	Max output Current	PF	Ta	Tc	L x W x H	IP
SNP100-12VFP	12V	0-100W	8.33A	≥0.9	45°C	90°C	167.5x58x17.5	IP44
SNP100-24VFP	24V	0-100W	4.17A	≥0.9	45°C	90°C	167.5x58x17.5	IP44



Built-in Connector Series

SNP20-VFC-UE/SNP40-VFC-UE
SNP50-VFC-UE/SNP72-VFC-UE
SNP90-VFC-UE

NEW!

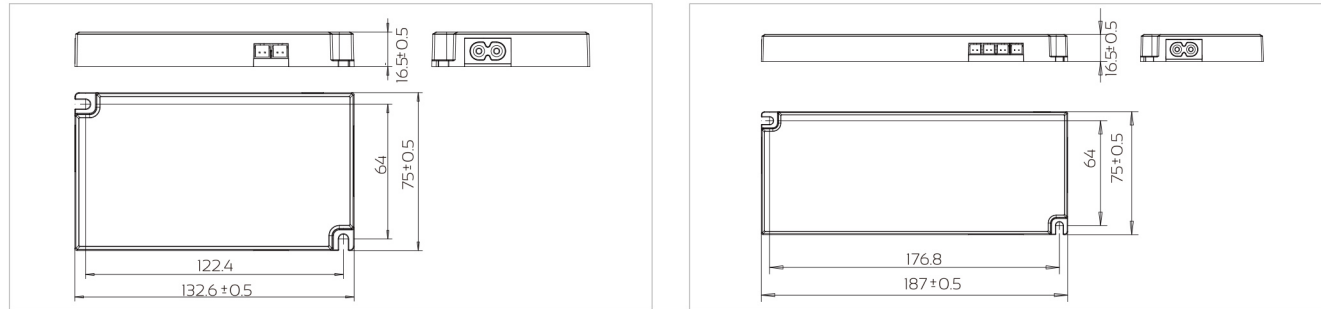


Reliable Technical Data

- Input Voltage Range:100-240VAC
 - Input Frequency:50/60Hz
 - Output Power:20W/40W/50W/72W/90W
 - Body: PC
 - Open Circuit; Short Circuit; Over Load;
-
- Safety According to EN61347-1, EN61347-2-13
 - EMI According to EN55015
 - EMS According to EN61000-3-2; EN61000-3-3; EN61547
 - EMF According to EN62493
 - ERP According to EU2019-2020
 - Conforms to UL Std. 8750



Dimension in mm



Characteristics

Input Voltage Range: AC100-240V 50/60Hz (power factor measured at AC230V and full load)

Model No.	Constant output voltage	Load	Max output current	PF	Ta	Tc	L x W x H
SNP20-12VFC-UE	12V	0-20W	1.6A	≥0.8	45°C	85°C	103x35.5x16
SNP20-24VFC-UE	24V	0-20W	0.83A	≥0.8	45°C	85°C	103x35.5x16
SNP40-12VFC-UE	12V	0-40W	3.3A	≥0.9	40°C	85°C	187x75x16.5
SNP40-24VFC-UE	24V	0-40W	1.67A	≥0.9	40°C	85°C	187x75x16.5
SNP50-12VFC-UE	12V	0-50W	4.17A	≥0.9	40°C	85°C	187x75x16.5
SNP50-24VFC-UE	24V	0-50W	2.1A	≥0.9	40°C	85°C	187x75x16.5
SNP72-12VFC-UE	12V	0-72W	6A	≥0.95	45°C	90°C	234.5x75x16.5
SNP72-24VFC-UE	24V	0-72W	3A	≥0.95	45°C	80°C	234.5x75x16.5
SNP90-24VFC-UE	24V	0-90W	3.75A	≥0.95	40°C	80°C	234.5x75x16.5



SNP30-VFC/SNP60-VFC/SNP100-VFC

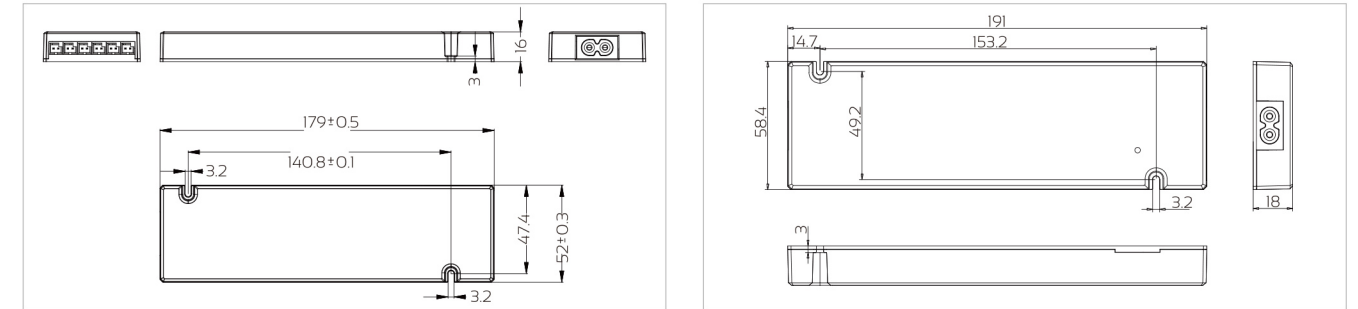


Reliable Technical Data

- Input Voltage Range:200-240VAC
 - Input Frequency:50/60Hz
 - Output Power:30W/60W/100W
 - Body: PC
 - Open Circuit; Short Circuit; Over Load;
-
- Safety According to EN61347-1, EN61347-2-13
 - EMI According to EN55015
 - EMS According to EN61000-3-2; EN61000-3-3; EN61547
 - EMF According to EN62493
 - ERP According to EU2019-2020



Dimension in mm



Characteristics

Input Voltage Range: AC200-240V 50/60Hz (power factor measured at AC230V and full load)

Model No.	Constant output voltage	Load	Max output current	PF	Ta	Tc	L x W x H
SNP30-12VFC	12V	0-30W	2.5A	≥0.9	45°C	90°C	179x52x16
SNP30-24VFC	24V	0-30W	1.25A	≥0.9	45°C	90°C	179x52x16
SNP60-12VFC	12V	0-60W	5.0A	≥0.9	45°C	90°C	191x58.4x18
SNP60-24VFC	24V	0-60W	2.5A	≥0.9	45°C	90°C	191x58.4x18
SNP100-12VFC	12V	0-100W	8.33A	≥0.9	45°C	90°C	191x58.4x18
SNP100-24VFC	24V	0-100W	4.17A	≥0.9	45°C	90°C	191x58.4x18



SNS30-VFC/SNS60-VFC/SNS100-VFC



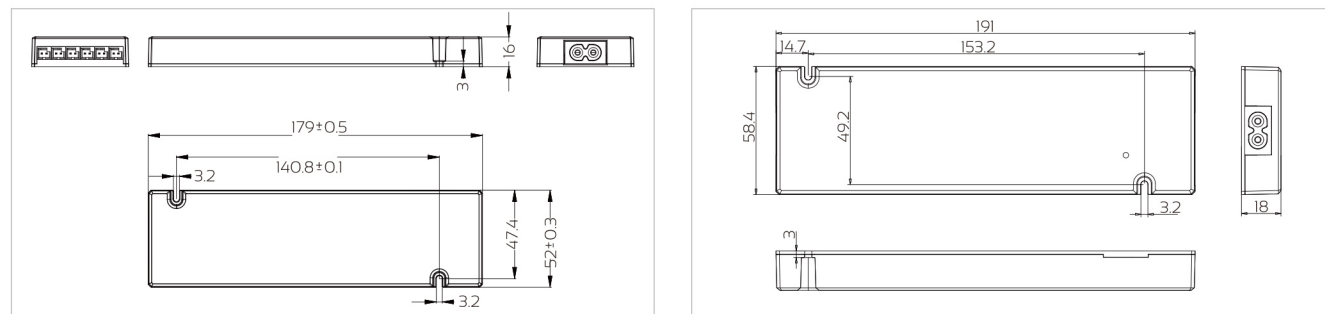
Reliable Technical Data

- Input Voltage Range:200-240VAC
- Input Frequency:50/60Hz
- Output Power:30W/60W/100W
- Body: PC
- Open Circuit; Short Circuit; Over Load;
- Safety According to EN61347-1, EN61347-2-13
- EMI According to EN55015
- EMS According to EN61000-3-2; EN61000-3-3; EN61547
- EMF According to EN62493
- ERP According to EU2019-2020

IR, PIR sensors optional



Dimension in mm



Characteristics

Input Voltage Range: AC200-240V 50/60Hz (power factor measured at AC230V and full load)

Model No.	Constant output voltage	Load	Max output current	PF	Ta	Tc	L x W x H
SNS30-12VFC	12V	0-30W	2.5A	≥0.9	45°C	90°C	179x52x16
SNS30-24VFC	24V	0-30W	1.25A	≥0.9	45°C	90°C	179x52x16
SNS60-12VFC	12V	0-60W	5.0A	≥0.9	45°C	90°C	191x58.4x18
SNS60-24VFC	24V	0-60W	2.5A	≥0.9	45°C	90°C	191x58.4x18
SNS100-12VFC	12V	0-100W	8.33A	≥0.9	45°C	90°C	191x58.4x18
SNS100-24VFC	24V	0-100W	4.17A	≥0.9	45°C	90°C	191x58.4x18



SL30-VFC(UE)/SL60-VFC(UE)
SL100-VFC(UE)

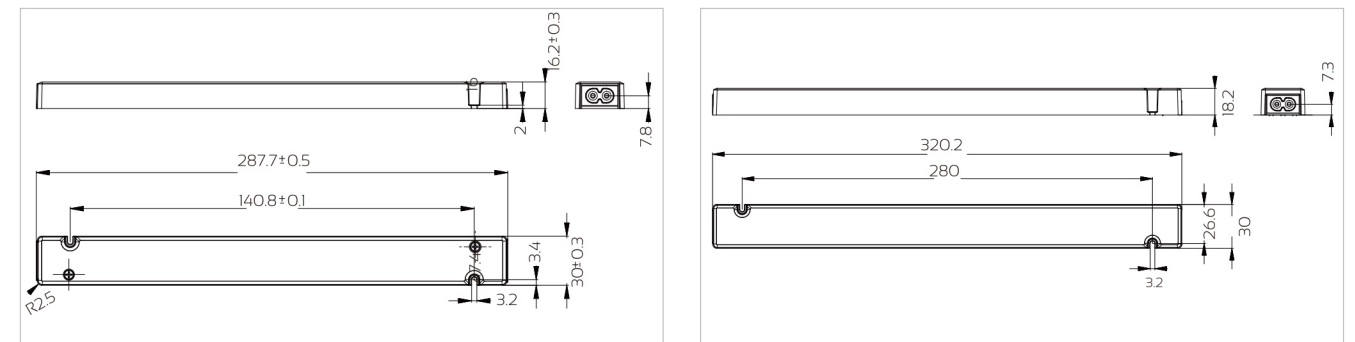


Reliable Technical Data

- Input Voltage Range:100-240VAC
- Input Frequency:50/60Hz
- Output Power:30W/60W/100W
- Body: PC
- Open Circuit; Short Circuit; Over Load;
- Safety According to EN61347-1, EN61347-2-13
- EMI According to EN55015
- EMS According to EN61000-3-2; EN61000-3-3; EN61547
- EMF According to EN62493
- ERP According to EU2019-2020
- Conforms to UL Std. 8750



Dimension in mm



Characteristics

Input Voltage Range: AC100-240V 50/60Hz (power factor measured at AC230V and full load)

Model No.	Constant output voltage	Load	Max output current	PF	Ta	Tc	L x W x H
SL30-12VFC(UE)	12V	0-30W	2.5A	≥0.9	45°C	85°C	287.7x30x16.2
SL30-24VFC(UE)	24V	0-30W	1.25A	≥0.9	45°C	85°C	287.7x30x16.2
SL60-12VFC(UE)	12V	0-60W	5.0A	≥0.95	45°C	90°C	320.2x30x18.2
SL60-24VFC(UE)	24V	0-60W	2.5A	≥0.95	45°C	90°C	320.2x30x18.2
SL100-24VFC(UE)	24V	0-100W	4.17A	≥0.95	45°C	90°C	320.2x30x18.2



IP44 Series



SNP30-VM/SNP60-VM

NEW!



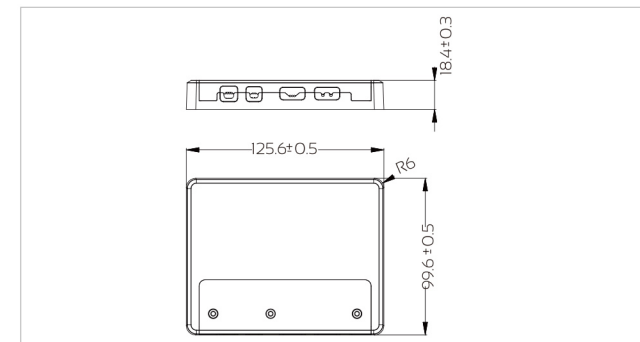
Especially design for mirror with touch dimming function

Reliable Technical Data

- Input Voltage Range: 220-240VAC
- Input Frequency: 50/60Hz
- Output Power: 30W/60W
- Body: PC
- Open Circuit; Short Circuit; Over Load;
- Safety According to EN61347-1, EN61347-2-13
- EMI According to EN55015
- EMS According to EN61000-3-2; EN61000-3-3; EN61547
- EMF According to EN62493
- ERP According to EU2019-2020



Dimension in mm



Characteristics

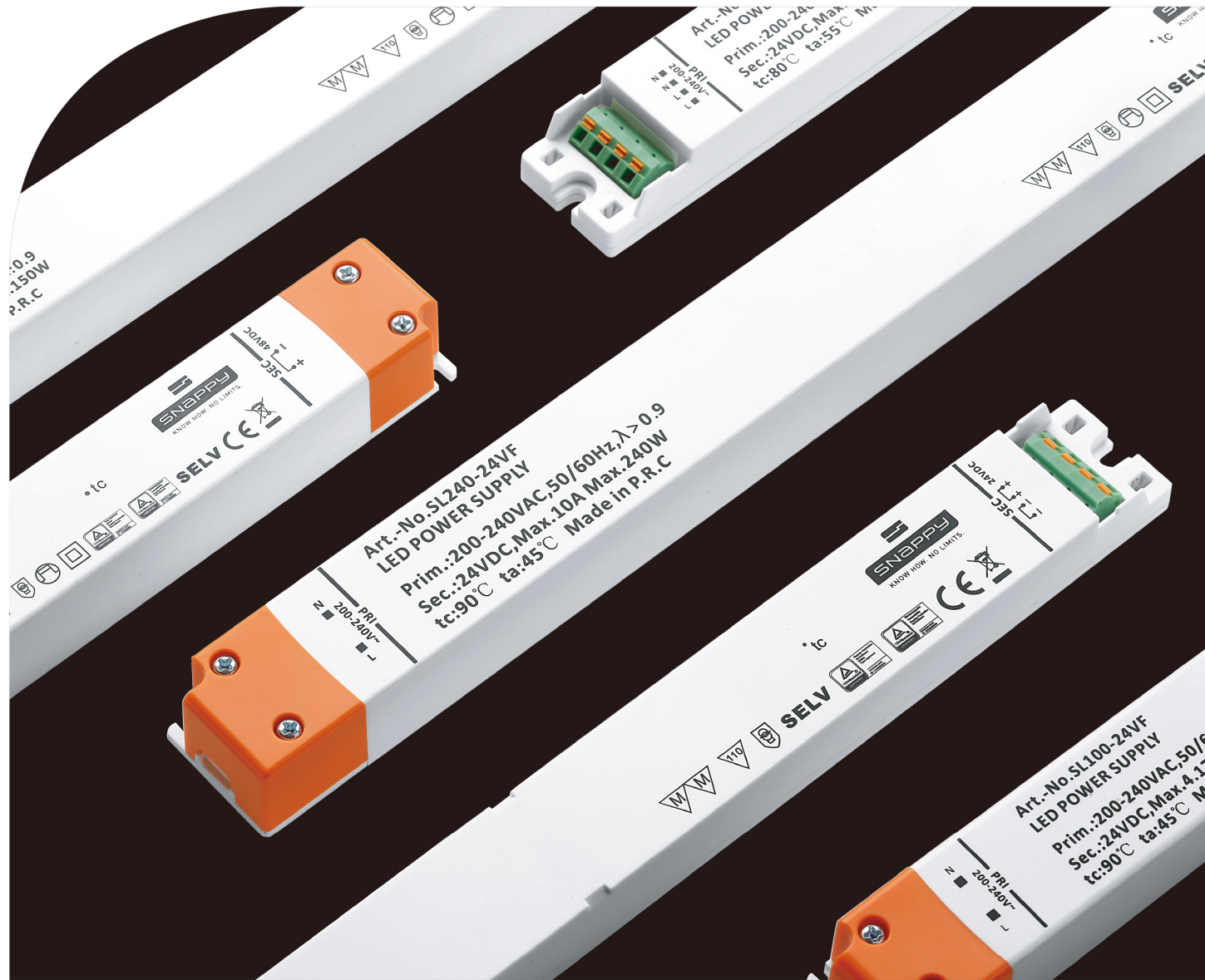
Input Voltage Range: AC220-240V 50/60Hz (power factor measured at AC230V and full load)

Model No.	Constant output voltage	Load	Max output current	PF	Ta	Tc	L x W x H	IP
SNP30-12VM	12V	0-30W	2.5A	>0.9	45°C	85°C	125.6x99.6x18.4	IP44
SNP60-12VM	12V	0-60W	5A	>0.9	45°C	85°C	125.6x99.6x18.4	IP44



Indoor Linetype LED Power Supply

IP20 Linear Type Series



SL30-VF/SNP45-VF-1



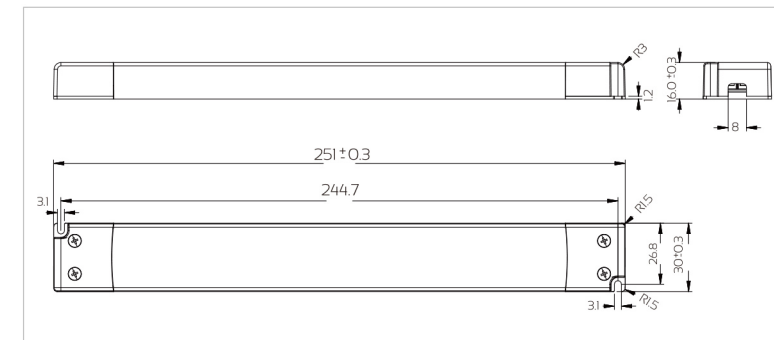
Reliable Technical Data

- Input Voltage Range:220-240VAC
- Input Frequency:50/60Hz
- Output Power:30W/45W
- Body: PC
- Open Circuit; Short Circuit; Over Load;

- Safety According to EN61347-1, EN61347-2-13
- EMI According to EN55015
- EMS According to EN61000-3-2; EN61000-3-3; EN61547
- EMF According to EN62493
- ERP According to EU2019-2020



Dimension in mm



Characteristics

Input Voltage Range: AC220-240V 50/60Hz [power factor measured at AC230V and full load]

Model No.	Constant output voltage	Load	Max output current	PF	Ta	Tc	L x W x H
SL30-12VF	12V	0-30W	2.5A	≥0.9	45°C	85°C	251x30x16
SL30-24VF	24V	0-30W	1.25A	≥0.9	45°C	85°C	251x30x16
SNP45-12VF-1	12V	0-45W	3.75A	≥0.9	45°C	80°C	251x30x16
SNP45-24VF-1	24V	0-45W	1.87A	≥0.9	45°C	80°C	251x30x16



SL60-VF-1/SL75-VF

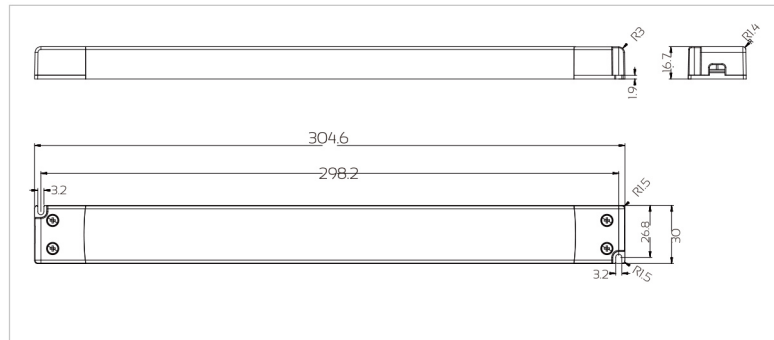


Reliable Technical Data

- Input Voltage Range:220-240VAC
- Input Frequency:50/60Hz
- Output Power:60W/75W
- Body: PC
- Open Circuit; Short Circuit; Over Load;
- Safety According to EN61347-1, EN61347-2-13
- EMI According to EN55015
- EMS According to EN61000-3-2; EN61000-3-3; EN61547
- EMF According to EN62493
- ERP According to EU2019-2020



Dimension in mm



Characteristics

Input Voltage Range: AC220-240V 50/60Hz (power factor measured at AC230V and full load)

Model No.	Constant output voltage	Load	Max output current	PF	Ta	Tc	L x W x H
SL60-12VF-1	12V	0-60W	5.0A	≥0.9	45°C	90°C	304.6x30x16.7
SL60-24VF-1	24V	0-60W	2.5A	≥0.9	45°C	90°C	304.6x30x16.7
SL60-48VF-1	48V	0-60W	1.25A	≥0.9	45°C	85°C	304.6x30x16.7
SL75-12VF	12V	0-75W	6.25A	≥0.9	45°C	90°C	304.6x30x16.7
SL75-24VF	24V	0-75W	3.125A	≥0.9	45°C	90°C	304.6x30x16.7
SL75-48VF	48V	0-75W	1.56A	≥0.9	45°C	85°C	304.6x30x16.7



SL100-VF-1/SL150-VF-1 **NEW!**

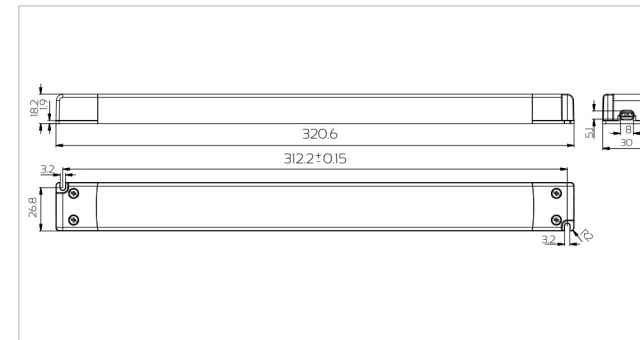


Reliable Technical Data

- Input Voltage Range:220-240VAC
- Input Frequency:50/60Hz
- Output Power:100W/150W
- Body: PC
- Open Circuit; Short Circuit; Over Load;
- Over Heat Protection
- Safety According to EN61347-1, EN61347-2-13
- EMI According to EN55015
- EMS According to EN61000-3-2; EN61000-3-3; EN61547
- EMF According to EN62493
- ERP According to EU2019-2020



Dimension in mm



Characteristics

Input Voltage Range: AC220-240V 50/60Hz (power factor measured at AC230V and full load)

Model No.	Constant output voltage	Load	Max output current	PF	Ta	Tc	L x W x H
SL100-12VF-1	12V	0-100W	8.33A	≥0.95	45°C	90°C	320.6x30x18.2
SL100-24VF-1	24V	0-100W	4.17A	≥0.95	45°C	90°C	320.6x30x18.2
SL100-48VF-1	48V	0-100W	2.08A	≥0.95	45°C	90°C	320.6x30x18.2
SL150-12VF-1	12V	0-132W	11A	≥0.95	45°C	90°C	320.6x30x18.2
SL150-24VF-1	24V	0-150W	6.25A	≥0.95	45°C	90°C	320.6x30x18.2
SL150-48VF-1	48V	0-150W	3.125A	≥0.95	45°C	90°C	320.6x30x18.2



SNP200-VF-1



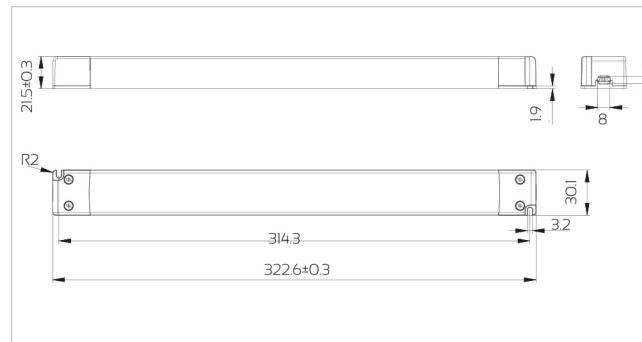
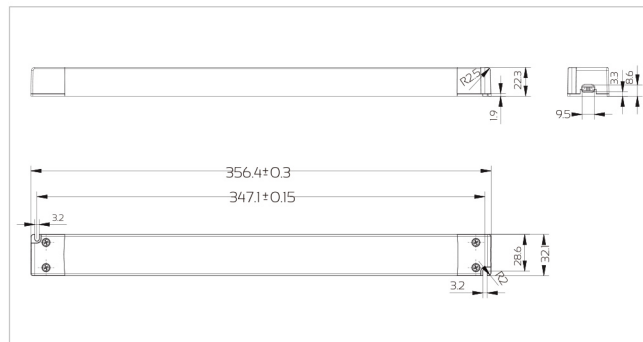
Reliable Technical Data

- Input Voltage Range: 220-240VAC
 - Input Frequency: 50/60Hz
 - Output Power: 200W
 - Body: PC
 - Open Circuit; Short Circuit; Over Load;
 - Over Heat Protection
- Safety According to EN61347-1, EN61347-2-13
 - EMI According to EN55015
 - EMS According to EN61000-3-2; EN61000-3-3; EN61547
 - EMF According to EN62493
 - ERP According to EU2019-2020

SL200-VF/SL200-VF-1



Dimension in mm



Characteristics

Input Voltage Range: AC220-240V 50/60Hz (power factor measured at AC230V and full load)

Model No.	Constant output voltage	Load	Max output current	PF	Ta	Tc	L x W x H
SNP200-12VF-1	12V	0-180W	15A	≥ 0.95	45°C	85°C	356.4x32.1x22.3
SL200-24VF	24V	0-200W	8.33A	≥ 0.9	45°C	90°C	322.6x30.1x21.5
SL200-48VF	48V	0-200W	4.17A	≥ 0.9	45°C	90°C	322.6x30.1x21.5
SL200-24VF-1	24V	0-200W	8.33A	≥ 0.95	45°C	90°C	320.6x30x18.2



SL240-VF

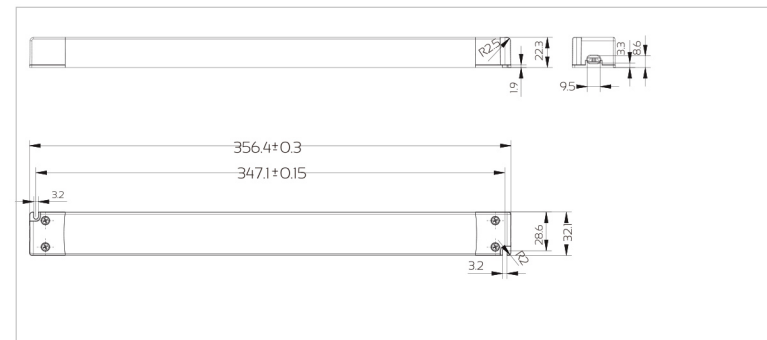


Reliable Technical Data

- Input Voltage Range: 200-240VAC
 - Input Frequency: 50/60Hz
 - Output Power: 240W
 - Body: PC
 - Open Circuit; Short Circuit; Over Load;
 - Over Heat Protection
- Safety According to EN61347-1, EN61347-2-13
 - EMI According to EN55015
 - EMS According to EN61000-3-2; EN61000-3-3; EN61547
 - EMF According to EN62493
 - ERP According to EU2019-2020



Dimension in mm



Characteristics

Input Voltage Range: AC200-240V 50/60Hz (power factor measured at AC230V and full load)

Model No.	Constant output voltage	Load	Max output current	PF	Ta	Tc	L x W x H
SL240-24VF	24V	0-240W	10A	> 0.9	45°C	90°C	356.4x32.1x22.3
SL240-48VF	48V	0-240W	5A	> 0.9	45°C	90°C	356.4x32.1x22.3



Indoor Linetype LED Power Supply

Push In Clamp Terminal Series



Snappy Linetype LED power supply is a perfect solution for LED lighting and LED sign applications

Short Circuit; Over Load, Over Voltage, Over Heat Protection.

Dimmable



SNP60-VFB-1

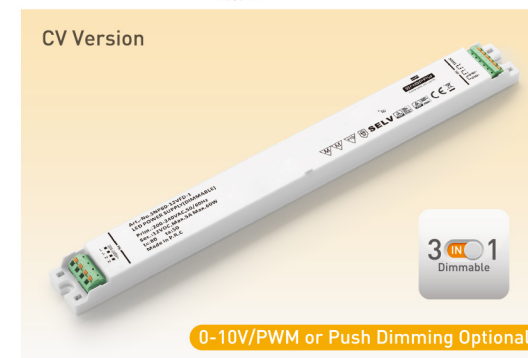


Reliable Technical Data

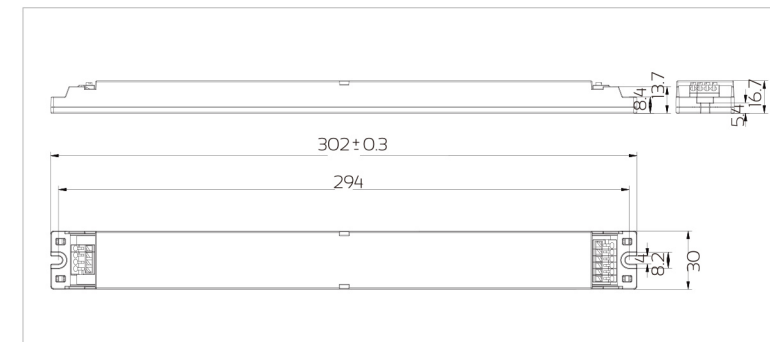
- Input Voltage Range: 200-240VAC
- Input Frequency: 50/60Hz
- Output Power: 60W
- Body: PC
- Open Circuit; Short Circuit; Over Load;
- Over Heat Protection

- Safety According to EN61347-1, EN61347-2-13
- EMI According to EN55015
- EMS According to EN61000-3-2; EN61000-3-3; EN61547
- EMF According to EN62493
- ERP According to EU2019-2020

SNP60-VFD-1



Dimension in mm



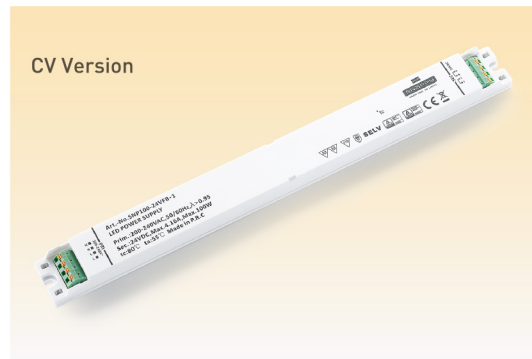
Characteristics

Input Voltage Range: AC200-240V 50/60Hz (power factor measured at AC230V and full load)

Model No.	Constant output voltage	Load	Max output current	PF	Ta	Tc	L x W x H
SNP60-12VFB-1	12V	0-60W	5.0A	>0.95	50°C	80°C	302x30x16.7
SNP60-24VFB-1	24V	0-60W	2.5A	>0.95	50°C	80°C	302x30x16.7
SNP60-12VFD-1	12V	0-60W	5.0A	>0.95	50°C	80°C	302x30x16.7
SNP60-24VFD-1	24V	0-60W	2.5A	>0.95	50°C	80°C	302x30x16.7



SNP100-VFB-1



Reliable Technical Data

- Input Voltage Range:200-240VAC
- Input Frequency:50/60Hz
- Output Power:100W
- Body: PC
- Open Circuit; Short Circuit; Over Load;
- Over Heat Protection
- Safety According to EN61347-1, EN61347-2-13
- EMI According to EN55015
- EMS According to EN61000-3-2; EN61000-3-3; EN61547
- EMF According to EN62493
- ERP According to EU2019-2020

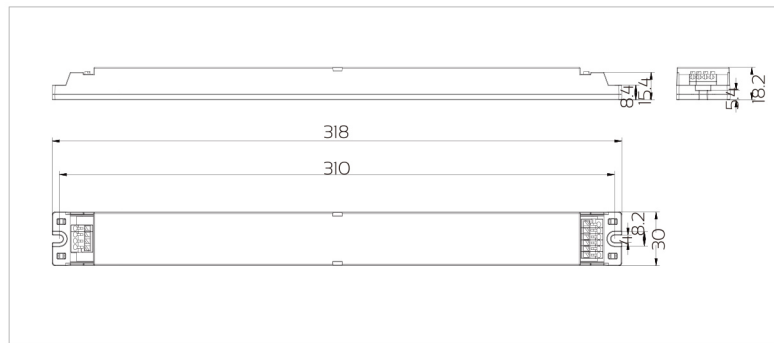
SNP100-VFD-1 DIMMABLE



0-10V/PWM or Push Dimming Optional



Dimension in mm



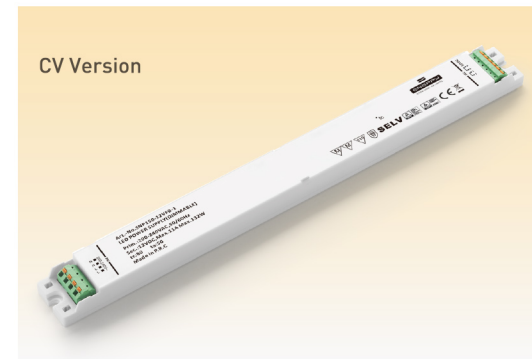
Characteristics

Input Voltage Range: AC200-240V 50/60Hz (power factor measured at AC230V and full load)

Model No.	Constant output voltage	Load	Max output current	PF	Ta	Tc	L x W x H
SNP100-12VFB-1	12V	0-100W	8.33A	>0.95	55°C	80°C	319x30x18.2
SNP100-24VFB-1	24V	0-100W	4.16A	>0.95	55°C	80°C	319x30x18.2
SNP100-12VFD-1	12V	0-100W	8.33A	>0.95	55°C	80°C	319x30x18.2
SNP100-24VFD-1	24V	0-100W	4.16A	>0.95	55°C	80°C	319x30x18.2



SNP150-VFB-1



Reliable Technical Data

- Input Voltage Range:200-240VAC
- Input Frequency:50/60Hz
- Output Power:150W
- Body: PC
- Open Circuit; Short Circuit; Over Load;
- Over Heat Protection
- Safety According to EN61347-1, EN61347-2-13
- EMI According to EN55015
- EMS According to EN61000-3-2; EN61000-3-3; EN61547
- EMF According to EN62493
- ERP According to EU2019-2020

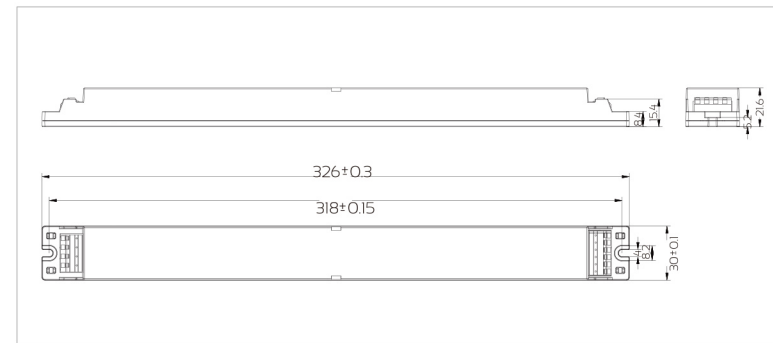
SNP150-VFD-1 DIMMABLE



0-10V/PWM or Push Dimming Optional



Dimension in mm



Characteristics

Input Voltage Range: AC200-240V 50/60Hz (power factor measured at AC230V and full load)

Model No.	Constant output voltage	Load	Max output current	PF	Ta	Tc	L x W x H
SNP150-12VFB-1	12V	0-132W	11A	>0.95	50°C	80°C	326x30x21.6
SNP150-24VFB-1	24V	0-150W	6.25A	>0.95	50°C	80°C	326x30x21.6
SNP150-12VFD-1	12V	0-132W	11A	>0.95	50°C	80°C	326x30x21.6
SNP150-24VFD-1	24V	0-150W	6.25A	>0.95	50°C	80°C	326x30x21.6



Outdoor Linetype LED Power Supply Series

Outdoor Advertising Series



Open Circuit; Short Circuit; Over Load; Over Heat Protection, Linear Type LED Drivers

Aluminum case with protection grade IP67

SLP60-VFP(UE)



SLP100-VFP(UE)

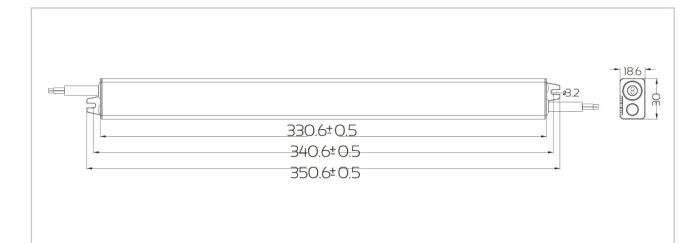
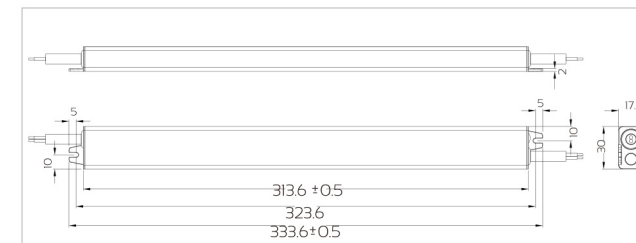


Reliable Technical Data

- Input Voltage Range:100-240VAC
- Input Frequency:50/60Hz
- Output Power:60W/100W
- Dimension: 333.6x30x17.5mm
350.6x30x18.6mm
- Body: IP67, Aluminum case
- Open Circuit; Short Circuit; Over Load;
- Over Heat Protection
- Safety According to EN61347-1, EN61347-2-13, UL8750
- EMI According to EN55015, FCC PART15 ClassB
- EMS According to EN61000-3-2; EN61000-3-3; EN61547
- EMF According to EN62493
- ERP According to EU2019-2020



Dimension in mm



Characteristics

Input Voltage Range: AC100-240V 50/60Hz (power factor measured at AC230V and full load)

Model No.	Constant output voltage	Load	Max output Current	PF	Ta	Tc	L x W x H	IP
SLP60-12VFP(UE)	12V	0-60W	5A	≥0.9	60°C	85°C	333.6x30x17.5	IP67
SLP60-24VFP(UE)	24V	0-60W	2.5A	≥0.9	60°C	85°C	333.6x30x17.5	IP67
SLP100-12VFP(UE)	12V	0-100W	8.33A	≥0.9	55°C	90°C	350.6x30x18.6	IP67
SLP100-24VFP(UE)	24V	0-100W	4.17A	≥0.9	55°C	90°C	350.6x30x18.6	IP67



SNP60-VFP-1/SNP100-VFP-1

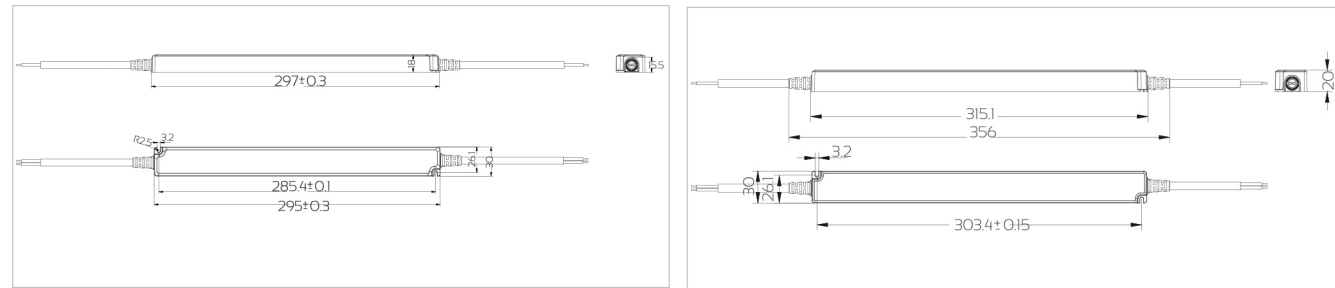


Reliable Technical Data

- Input Voltage Range:200-240VAC
 - Input Frequency:50/60Hz
 - Output Power:60W/100W
 - Dimension:L297xW30xH18mm(SNP60-VFP-1)
L315.1xW30xH20mm(SNP100-VFP-1)
 - Body: IP66 PC Case
 - Open Circuit; Short Circuit; Over Load;
 - Over Heat Protection
-
- Safety According to EN61347-1, EN61347-2-13
 - EMI According to EN55015
 - EMS According to EN61000-3-2; EN61000-3-3; EN61547
 - EMF According to EN62493
 - ERP According to EU2019-2020



Dimension in mm



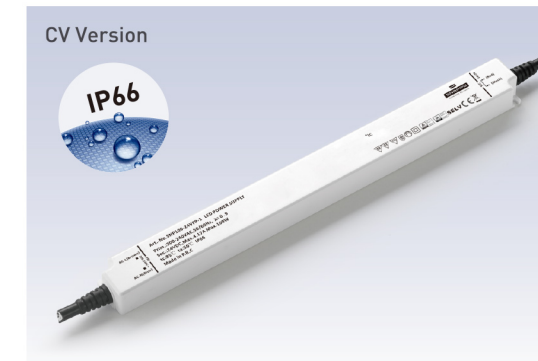
Characteristics

Input Voltage Range: AC200-240V 50/60Hz (power factor measured at AC230V and full load)

Model No.	Constant output voltage	Load	Max output Current	PF	Ta	Tc	L x W x H	IP
SNP60-12VFP-1	12V	0-60W	5A	≥0.9	45°C	80°C	297x30x18	IP66
SNP60-24VFP-1	24V	0-60W	2.5A	≥0.9	45°C	80°C	297x30x18	IP66
SNP100-12VFP-1	12V	0-100W	8.33A	≥0.9	50°C	85°C	315.1x30x20	IP66
SNP100-24VFP-1	24V	0-100W	4.17A	≥0.9	50°C	85°C	315.1x30x20	IP66



SNP150-VFP-1/SNP200-VFP-1 SNP240-VFP-1

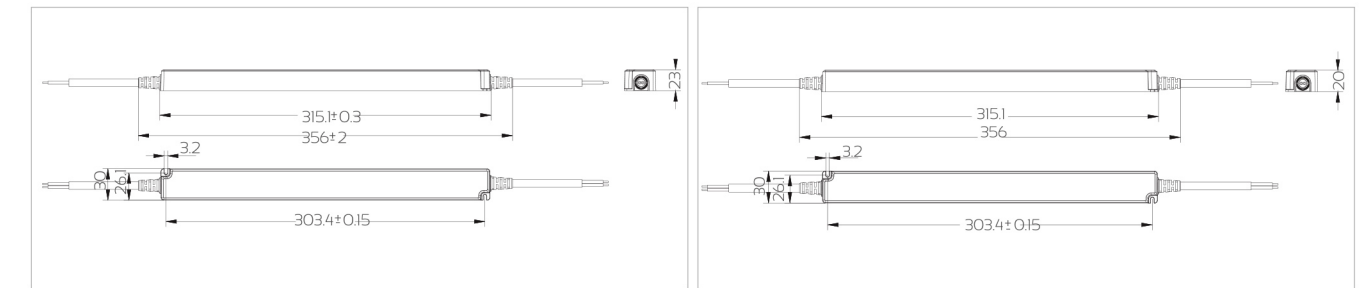


Reliable Technical Data

- Input Voltage Range:200-240VAC
 - Input Frequency:50/60Hz
 - Output Power:132W/150W/200W/240W
 - Dimension:L315.1xW30xH23mm(SNP150-VFP-1)
L315.1xW30xH20mm(SNP200-VFP-1/SNP240-VFP-1)
 - Body: IP66 PC Case
 - Open Circuit; Short Circuit; Over Load;
 - Over Heat Protection
-
- Safety According to EN61347-1, EN61347-2-13
 - EMI According to EN55015
 - EMS According to EN61000-3-2; EN61000-3-3; EN61547
 - EMF According to EN62493
 - ERP According to EU2019-2020



Dimension in mm



Characteristics

Input Voltage Range: AC200-240V 50/60Hz (power factor measured at AC230V and full load)

Model No.	Constant output voltage	Load	Max output Current	PF	Ta	Tc	L x W x H	IP
SNP150-12VFP-1	12V	0-132W	11A	≥0.9	45°C	90°C	315.1x30x23	IP66
SNP150-24VFP-1	24V	0-150W	6.25A	≥0.9	45°C	90°C	315.1x30x23	IP66
SNP200-24VFP-1	24V	0-200W	8.33A	≥0.95	60°C	90°C	315.1x30x20	IP66
SNP240-24VFP-1	24V	0-240W	10A	≥0.9	45°C	90°C	315.1x30x20	IP66





Dimmable LED Power Supply Series



Three In One Dimmable Series



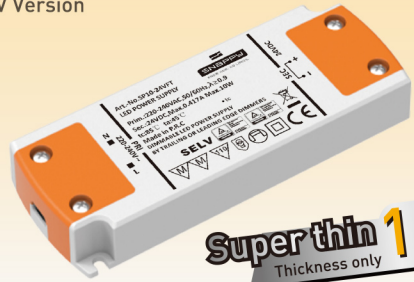
Triac Dimmable Series



SP10-VFT

DIMMABLE **NEW!**

CV Version



Super thin 16 mm
Thickness only

Reliable Technical Data

- Input Voltage Range: 220-240VAC
- Input Frequency: 50/60Hz
- Output Power: 10W/30W/36W
- Body: PC
- Open Circuit; Short Circuit; Over Load;

- Safety According to EN61347-1, EN61347-2-13
- EMI According to EN55015
- EMS According to EN61000-3-2; EN61000-3-3; EN61547
- EMF According to EN62493
- ERP According to EU2019-2020

SP30-VFT-1/SP36-VFT-1

DIMMABLE **NEW!**

CV Version



super thin 18.3 mm
Thickness only



SP50-VFT-1

DIMMABLE

CV Version



Super thin 21.8 mm
Thickness only

Reliable Technical Data

- Input Voltage Range: 220-240VAC
- Input Frequency: 50/60Hz
- Output Power: 50W/75W
- Body: PC
- Open Circuit; Short Circuit; Over Load;

- Safety According to EN61347-1, EN61347-2-13
- EMI According to EN55015
- EMS According to EN61000-3-2; EN61000-3-3; EN61547
- EMF According to EN62493
- ERP According to EU2019-2020

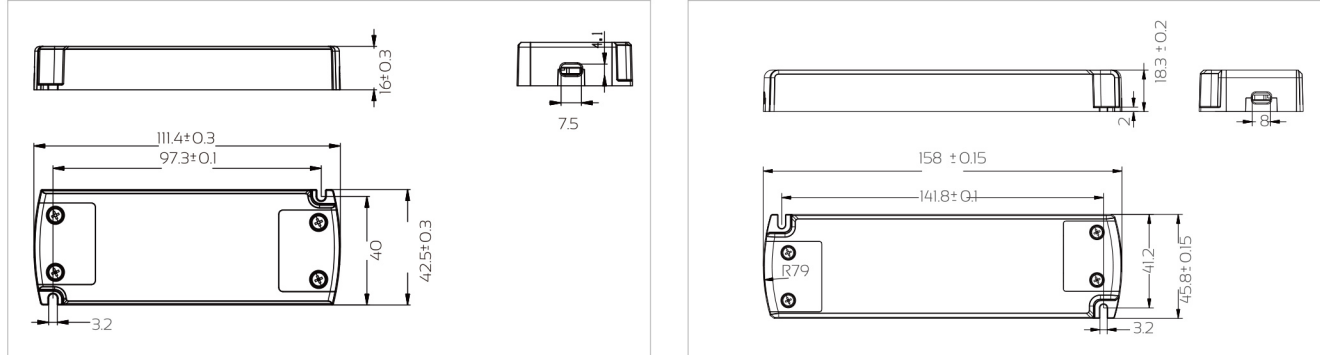
SP75-VLT

DIMMABLE

CV Version



Dimension in mm



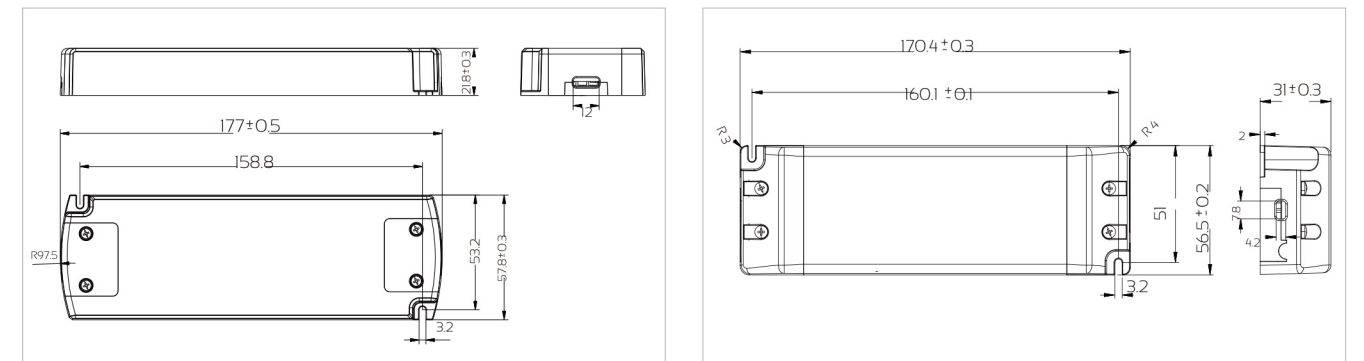
Characteristics

Input Voltage Range: AC220-240V 50/60Hz (power factor measured at AC230V and full load)

Model No.	Constant output voltage	Load	Output current range	PF	Ta	Tc	L x W x H
SP10-12VFT	12V	2-10W	0.167-0.833A	≥0.9	45°C	85°C	111.4x42.5x16
SP10-24VFT	24V	4-10W	0.167-0.417A	≥0.9	45°C	85°C	111.4x42.5x16
SP30-12VFT-1	12V	6-30W	0.5-2.5A	≥0.9	45°C	85°C	158x45.8x18.3
SP30-24VFT-1	24V	6-30W	0.25-1.25A	≥0.9	45°C	85°C	158x45.8x18.3
SP36-12VFT-1	12V	12-36W	1-3A	≥0.9	45°C	85°C	158x45.8x18.3
SP36-24VFT-1	24V	12-36W	0.5-1.5A	≥0.9	45°C	85°C	158x45.8x18.3



Dimension in mm



Characteristics

Input Voltage Range: AC220-240V 50/60Hz (power factor measured at AC230V and full load)

Model No.	Constant output voltage	Load	Output current range	PF	Ta	Tc	L x W x H
SP50-12VFT-1	12V	19-50W	1.6-4.16A	≥0.9	45°C	85°C	177x57.8x21.8
SP50-24VFT-1	24V	19-50W	0.8-2.08A	≥0.9	45°C	85°C	177x57.8x21.8
SP75-12VLT	12V	24-75W	2-6.25A	≥0.9	45°C	85°C	170.4x56.5x31
SP75-24VLT	24V	24-75W	1-3.125A	≥0.9	45°C	85°C	170.4x56.5x31



SP100-VLT/SP150-VLT

DIMMABLE



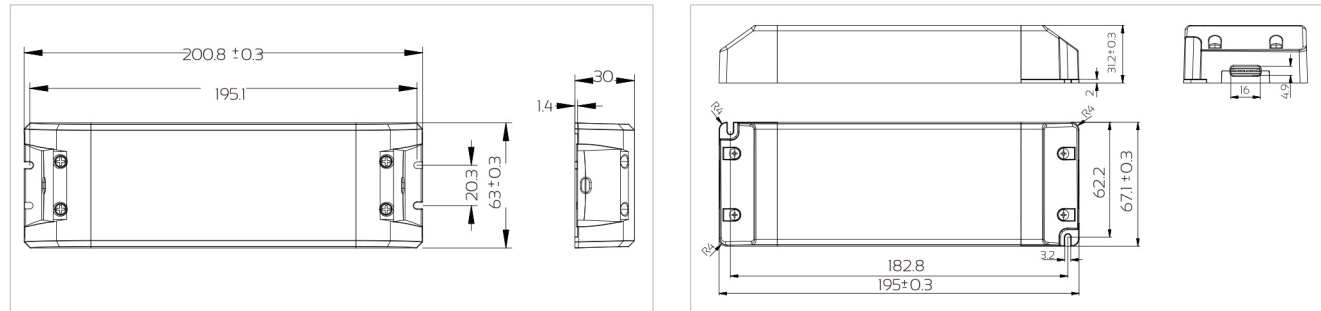
Reliable Technical Data

- Input Voltage Range: 220-240VAC
- Input Frequency: 50/60Hz
- Output Power: 100W/150W
- Body: PC
- Open Circuit; Short Circuit; Over Load;
- Over Heat Protection

- Safety According to EN61347-1, EN61347-2-13
- EMI According to EN55015
- EMS According to EN61000-3-2; EN61000-3-3; EN61547
- EMF According to EN62493
- ERP According to EU2019-2020



Dimension in mm



Characteristics

Input Voltage Range: AC220-240V 50/60Hz (power factor measured at AC230V and full load)

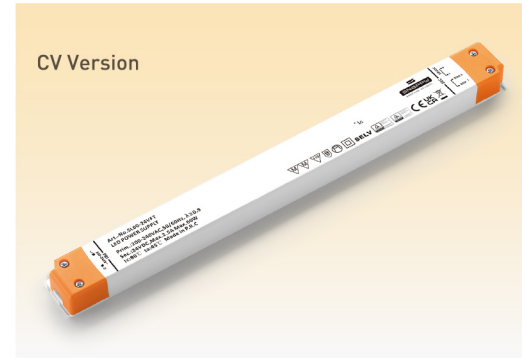
Model No.	Constant output voltage	Load	Output current range	PF	Ta	Tc	L x W x H
SP100-12VLT	12V	24-100W	2-8.33A	≥ 0.9	45°C	90°C	200.8x63x30
SP100-24VLT	24V	24-100W	1-4.17A	≥ 0.9	45°C	90°C	200.8x63x30
SP150-12VLT	12V	48-132W	4-11A	≥ 0.9	45°C	90°C	195x67.1x31.2
SP150-24VLT	24V	48-150W	2-6.25A	≥ 0.9	45°C	90°C	195x67.1x31.2



SL60-VFT

DIMMABLE

NEW!



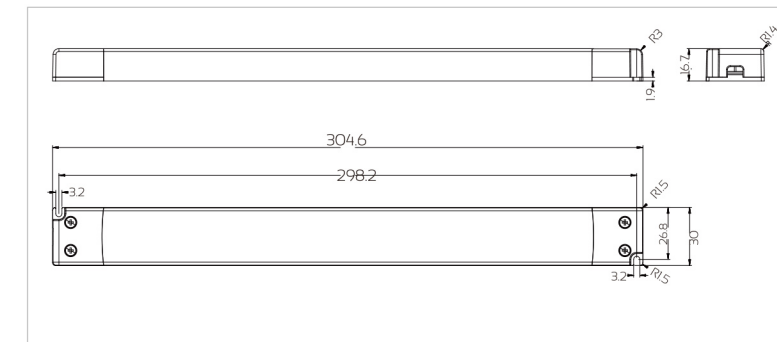
Reliable Technical Data

- Input Voltage Range: 220-240VAC
- Input Frequency: 50/60Hz
- Output Power: 60W
- Body: PC
- Open Circuit; Short Circuit; Over Load;
- Over Heat Protection

- Safety According to EN61347-1, EN61347-2-13
- EMI According to EN55015
- EMS According to EN61000-3-2; EN61000-3-3; EN61547
- EMF According to EN62493
- ERP According to EU2019-2020



Dimension in mm



Characteristics

Input Voltage Range: AC220-240V 50/60Hz (power factor measured at AC230V and full load)

Model No.	Constant output voltage	Load	Max output current	PF	Ta	Tc	L x W x H
SL60-12VFT	12V	12-60W	5.0A	≥ 0.9	45°C	90°C	304.6x30x16.7
SL60-24VFT	24V	12-60W	2.5A	≥ 0.9	45°C	90°C	304.6x30x16.7



Triac Dimmable Series (Constant Voltage)

SL100-VFT/SL150-VFT

DIMMABLE **NEW!**



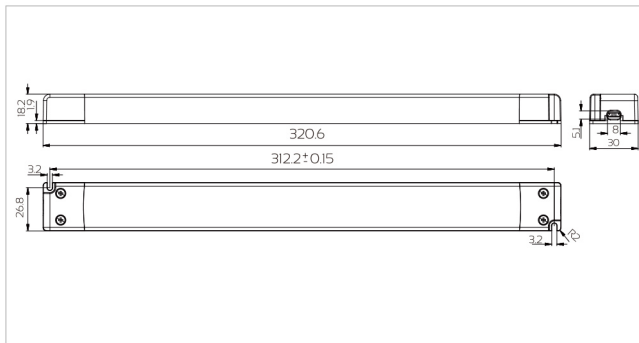
CV Version

Reliable Technical Data

- Input Voltage Range: 220-240VAC
 - Input Frequency: 50/60Hz
 - Output Power: 100W/150W
 - Body: PC
 - Open Circuit; Short Circuit; Over Load;
 - Over Heat Protection
-
- Safety According to EN61347-1, EN61347-2-13
 - EMI According to EN55015
 - EMS According to EN61000-3-2; EN61000-3-3; EN61547
 - EMF According to EN62493
 - ERP According to EU2019-2020



Dimension in mm



Characteristics

Input Voltage Range: AC220-240V 50/60Hz (power factor measured at AC230V and full load)

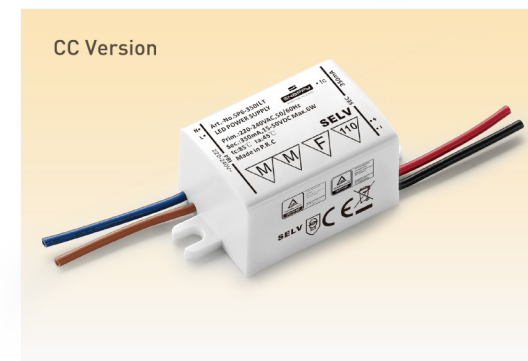
Model No.	Constant output voltage	Load	Max output current	PF	Ta	Tc	L x W x H
SL100-12VFT	12V	20-100W	8.33A	≥0.9	45°C	90°C	320.6x30x18.2
SL100-24VFT	24V	20-100W	4.16A	≥0.9	45°C	90°C	320.6x30x18.2
SL150-12VFT	12V	30-150W	12.5A	≥0.9	45°C	90°C	320.6x30x18.2
SL150-24VFT	24V	30-150W	6.25A	≥0.9	45°C	90°C	320.6x30x18.2



Triac Dimmable Series (Constant Current)

SP3-ILT/SP6-ILT

DIMMABLE **NEW!**



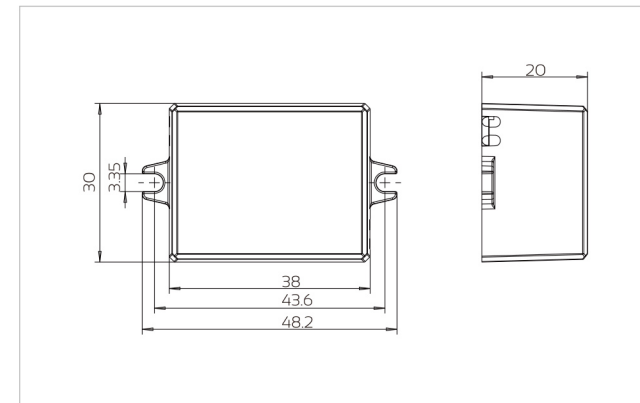
CC Version

Reliable Technical Data

- Input Voltage Range: 220-240VAC
 - Input Frequency: 50/60Hz
 - Output Power: 3W/6W
 - Body: PC
 - Open Circuit; Short Circuit; Over Load;
-
- Safety According to EN61347-1, EN61347-2-13
 - EMI According to EN55015
 - EMS According to EN61000-3-2; EN61000-3-3; EN61547
 - EMF According to EN62493
 - ERP According to EU2019-2020



Dimension in mm



Characteristics

Input Voltage Range: AC220-240V 50/60Hz (power factor measured at AC230V and full load)

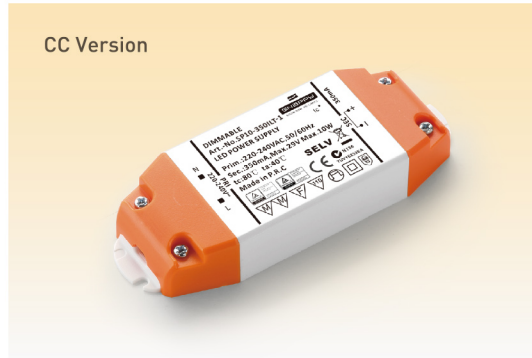
Model No.	Constant output current	Load	Output voltage range	PF	Ta	Tc	L x W x H
SP3-350ILT	350mA	3W	2.5-10V	≥0.9	45°C	85°C	48.2x30x20
SP6-350ILT	350mA	6W	10-21V	≥0.9	45°C	85°C	48.2x30x20



SP10-ILT-1/SP15-ILT

DIMMABLE

CC Version



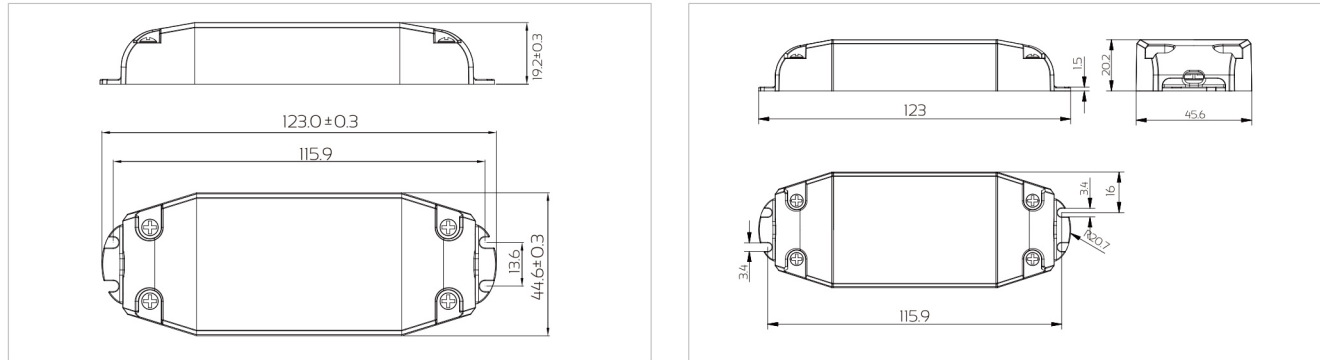
Reliable Technical Data

- Input Voltage Range:220-240VAC
- Input Frequency:50/60Hz
- Output Power:10W/15W
- Body: PC
- Open Circuit; Short Circuit; Over Load;

- Safety According to EN61347-1, EN61347-2-13
- EMI According to EN55015
- EMS According to EN61000-3-2; EN61000-3-3; EN61547
- EMF According to EN62493
- ERP According to EU2019-2020



Dimension in mm



Characteristics

Input Voltage Range: AC220-240V 50/60Hz (power factor measured at AC230V and full load)

Model No.	Constant output current	Load	Output voltage range	PF	Ta	Tc	L x W x H
SP10-350ILT-1	350mA	2.8-10W	8-28VDC	≥0.9	40°C	80°C	123x44.6x19.2
SP10-700ILT-1	700mA	2.8-10W	4-14VDC	≥0.9	40°C	80°C	123x44.6x19.2
SP15-350ILT	350mA	7.5-15W	21.5-42.5VDC	≥0.9	40°C	85°C	123x45.6x20.2
SP15-500ILT	500mA	7.5-15W	15-30VDC	≥0.9	40°C	85°C	123x45.6x20.2
SP15-700ILT	700mA	7.5-15W	10.5-21.5VDC	≥0.9	40°C	85°C	123x45.6x20.2



SP18-ILT

DIMMABLE

CC Version



Reliable Technical Data

- Input Voltage Range:220-240VAC
- Input Frequency:50/60Hz
- Output Power:18W/24W
- Body: PC
- Open Circuit; Short Circuit; Over Load;

- Safety According to EN61347-1, EN61347-2-13
- EMI According to EN55015
- EMS According to EN61000-3-2; EN61000-3-3; EN61547
- EMF According to EN62493
- ERP According to EU2019-2020



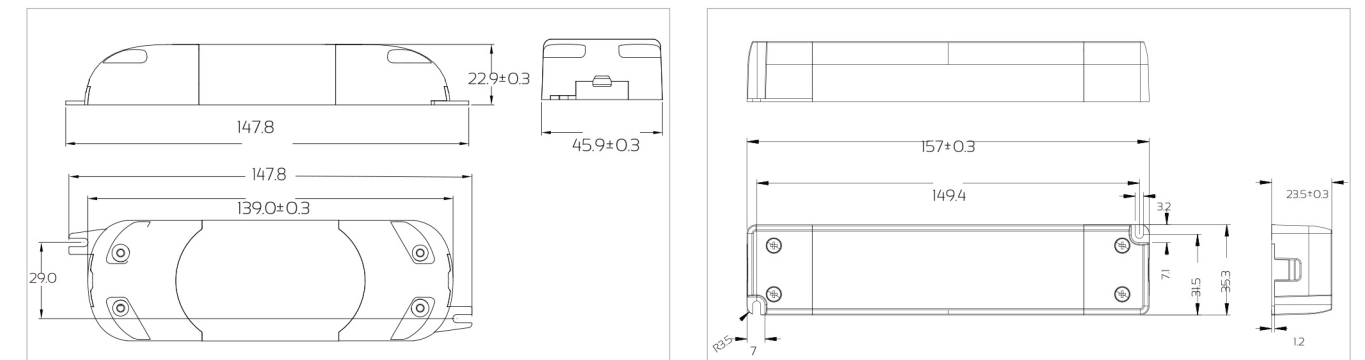
SP24-ILT

DIMMABLE

CC Version



Dimension in mm



Characteristics

Input Voltage Range: AC220-240V 50/60Hz (power factor measured at AC230V and full load)

Model No.	Constant output current	Load	Output voltage range	PF	Ta	Tc	L x W x H
SP18-350ILT	350mA	9-18W	25.5-51VDC	≥0.9	45°C	80°C	147.8x46x23
SP18-500ILT	500mA	9-18W	18-36VDC	≥0.9	45°C	80°C	147.8x46x23
SP18-700ILT	700mA	9-18W	12.5-25.5VDC	≥0.9	45°C	80°C	147.8x46x23
SP24-350ILT	350mA	12-24W	34-68.5VDC	≥0.95	45°C	80°C	157x35.3x23.5
SP24-500ILT	500mA	12-24W	24-48VDC	≥0.95	45°C	80°C	157x35.3x23.5
SP24-700ILT	700mA	12-24W	17-34VDC	≥0.95	45°C	80°C	157x35.3x23.5
SP24-1050ILT	1050mA	12-24W	11-22.5VDC	≥0.95	45°C	80°C	157x35.3x23.5



SP36-ILT DIMMABLE

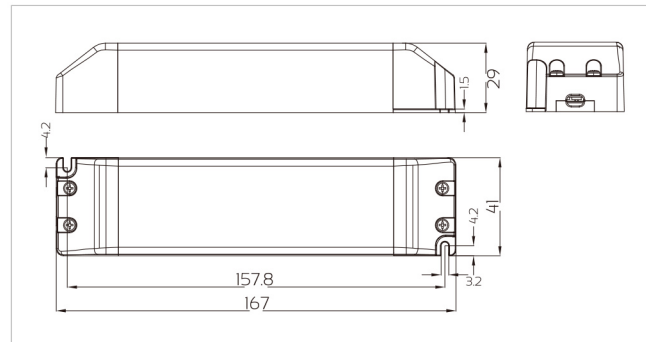


Reliable Technical Data

- Input Voltage Range: 220-240VAC
 - Input Frequency: 50/60Hz
 - Output Power: 36W
 - Body: PC
 - Open Circuit; Short Circuit; Over Load;
 - Over Heat Protection
-
- Safety According to EN61347-1, EN61347-2-13
 - EMI According to EN55015
 - EMS According to EN61000-3-2; EN61000-3-3; EN61547
 - EMF According to EN62493
 - ERP According to EU2019-2020



Dimension in mm



Characteristics

Input Voltage Range: AC220-240V 50/60Hz (power factor measured at AC230V and full load)

Model No.	Constant output current	Load	Output voltage range	PF	Ta	Tc	L x W x H
SP36-350ILT	350mA	15-30W	42.5-85.5VDC	≥0.95	45°C	85°C	167x41x29
SP36-500ILT	500mA	18-36W	36-72VDC	≥0.95	45°C	80°C	167x41x29
SP36-700ILT	700mA	18-36W	25.5-51VDC	≥0.95	45°C	80°C	167x41x29
SP36-1050ILT	1050mA	18-36W	17-34VDC	≥0.95	45°C	85°C	167x41x29



SNC10-ILT DIMMABLE NEW!

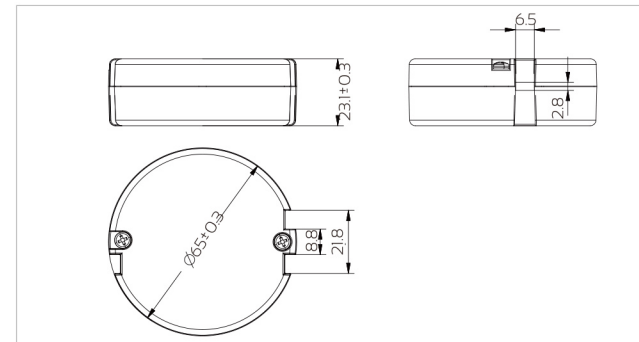


Reliable Technical Data

- Input Voltage Range: 220-240VAC
 - Input Frequency: 50/60Hz
 - Output Power: 10W
 - Body: PC
 - Open Circuit; Short Circuit; Over Load;
 - Over Heat Protection
-
- Safety According to EN61347-1, EN61347-2-13
 - EMI According to EN55015
 - EMS According to EN61000-3-2; EN61000-3-3; EN61547
 - EMF According to EN62493
 - ERP According to EU2019-2020



Dimension in mm



Characteristics

Input Voltage Range: AC220-240V 50/60Hz (power factor measured at AC230V and full load)

Model No.	Constant output current	Load	Output voltage range	PF	Ta	Tc	Φ x H
SNC10-230ILT	230mA	5-10W	21.7-43.4VDC	≥0.9	45°C	80°C	Φ65x23.1
SNC10-350ILT	350mA	5-10W	14.3-28.5VDC	≥0.9	45°C	80°C	Φ65x23.1

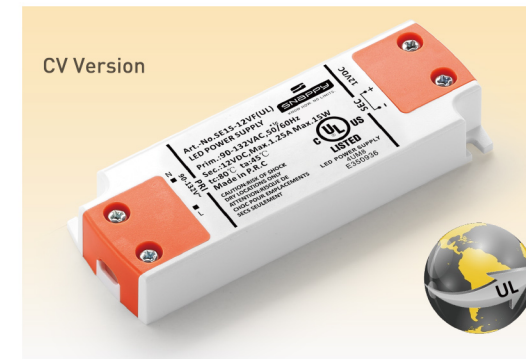


UL & UE LED Power Supply Series



UL Listed products, Open Circuit; Short Circuit; Over Load, Over Heat Protection.

SE15-VF(UL)/SE20-VF(UL)

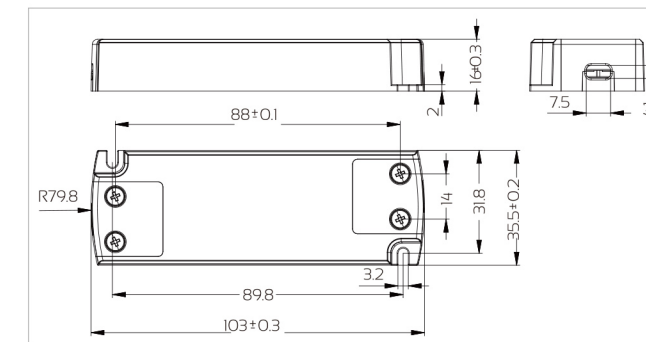


Reliable Technical Data

- Input Voltage Range: 100-120VAC
 - Input Frequency: 50/60Hz
 - Output Power: 15W/20W
 - Body: PC
 - Open Circuit; Short Circuit; Over Load;
-
- Conforms to UL Std. 8750
 - FCC PART15 ClassB



Dimension in mm



Characteristics

Input Voltage Range: AC100-120V 50/60Hz (power factor measured at AC120V and full load)

Model No.	Constant output voltage	Load	Max output current	PF	Ta	Tc	L x W x H
SE15-12VF(UL)	12V	0-15W	1.25A	≥0.5	45°C	85°C	103x35.5x16
SE15-24VF(UL)	24V	0-15W	0.625A	≥0.5	45°C	85°C	103x35.5x16
SE20-12VF(UL)	12V	0-20W	1.67A	≥0.55	45°C	85°C	103x35.5x16
SE20-24VF(UL)	24V	0-20W	0.833A	≥0.55	45°C	85°C	103x35.5x16



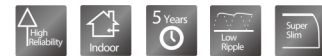
SE30-VF(UL)/SE50-VF(UL)



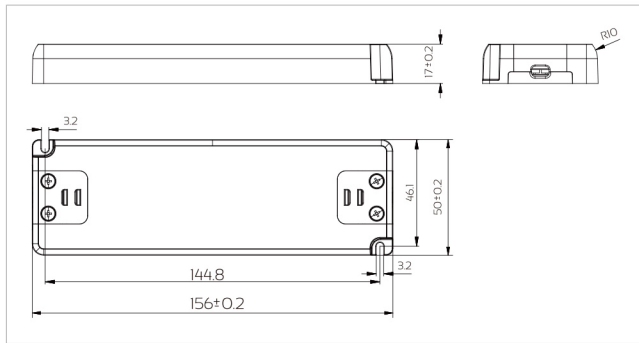
Reliable Technical Data

- Input Voltage Range:100-120VAC
- Input Frequency:50/60Hz
- Output Power:30W/50W
- Body: PC
- Open Circuit; Short Circuit; Over Load;

- Conforms to UL Std. 8750
- FCC PART15 ClassB



Dimension in mm



Characteristics

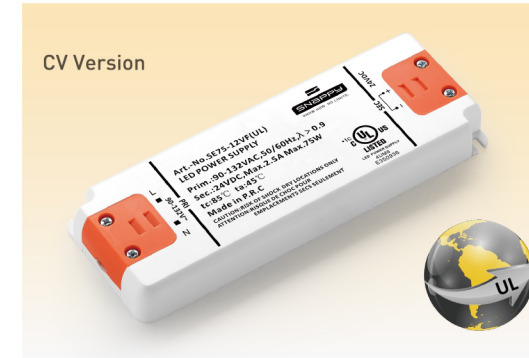
Input Voltage Range: AC100-120V 50/60Hz (power factor measured at AC120V and full load)

Model No.	Constant output voltage	Load	Max output current	PF	Ta	Tc	L x W x H
SE30-12VF(UL)	12V	0-30W	2.5A	≥0.98	45°C	85°C	156x50x17
SE30-24VF(UL)	24V	0-30W	1.25A	≥0.98	45°C	85°C	156x50x17
SE50-12VF(UL)	12V	0-50W	4.17A	≥0.98	45°C	85°C	156x50x17
SE50-24VF(UL)	24V	0-50W	2.08A	≥0.98	45°C	85°C	156x50x17



SE75-VF(UL)

NEW!



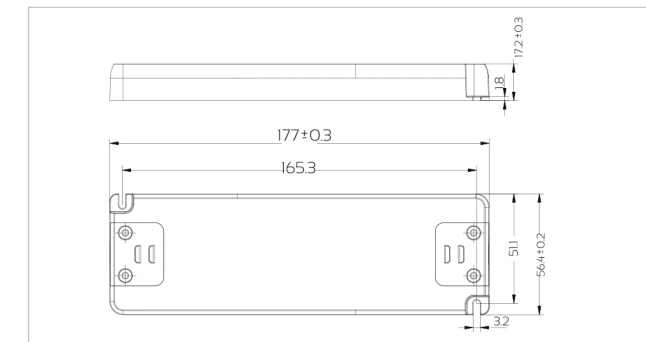
Reliable Technical Data

- Input Voltage Range:100-120VAC
- Input Frequency:50/60Hz
- Output Power:75W
- Body: PC
- Open Circuit; Short Circuit; Over Load;

- Conforms to UL Std. 8750
- FCC PART15 ClassB



Dimension in mm



Characteristics

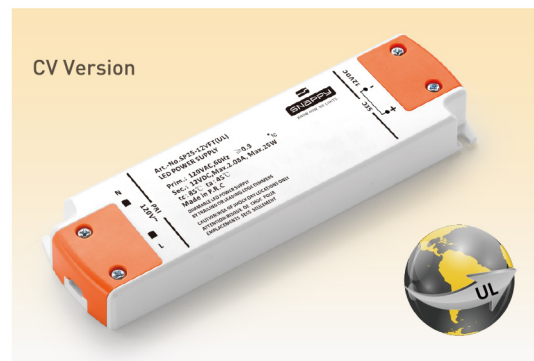
Input Voltage Range: AC100-120V 50/60Hz (power factor measured at AC120V and full load)

Model No.	Constant output voltage	Load	Max output current	PF	Ta	Tc	L x W x H
SE75-12VF(UL)	12V	0-75W	6.25A	≥0.95	45°C	85°C	177x56.4x17.2
SE75-24VF(UL)	24V	0-75W	3.125A	≥0.95	45°C	85°C	177x56.4x17.2



SP25-VFT(UL)/SP30-VFT(UL)

NEW!



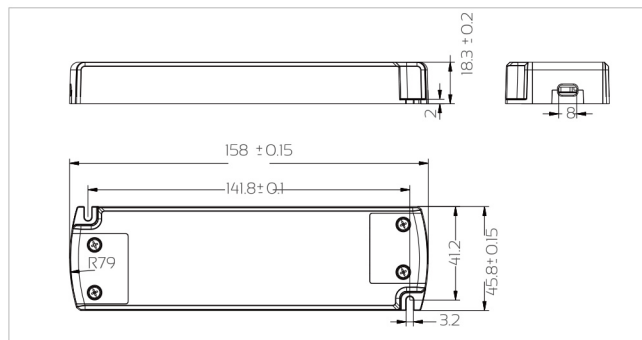
Reliable Technical Data

- Input Voltage Range:100-120VAC
- Input Frequency:60Hz
- Output Power:25W/30W
- Body: PC
- Open Circuit; Short Circuit; Over Load;

- Conforms to UL Std. 8750
- FCC PART15 ClassB



Dimension in mm



Characteristics

Input Voltage Range: AC100-120V 60Hz (power factor measured at AC120V and full load)

Model No.	Constant output voltage	Load	Output current range	PF	Ta	Tc	L x W x H
SP25-12VFT(UL)	12V	6-25W	0.5-2.08A	≥0.9	45°C	85°C	158x45.8x18.3
SP25-24VFT(UL)	24V	6-25W	0.25-1.04A	≥0.9	45°C	85°C	158x45.8x18.3
SP30-12VFT(UL)	12V	6-30W	0.5-2.5A	>0.9	45°C	85°C	158 x45.8x18.3
SP30-24VFT(UL)	24V	6-30W	0.25-1.25A	>0.9	45°C	85°C	158 x45.8x18.3



SP60-VFT(UL) / SP80-VFT(UL)

NEW!



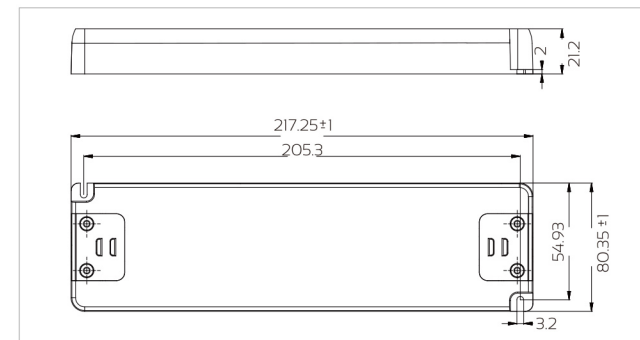
Reliable Technical Data

- Input Voltage Range:100-120VAC
- Input Frequency:60Hz
- Output Power:60W/80W
- Body: PC
- Open Circuit; Short Circuit; Over Load;

- Conforms to UL Std. 8750
- FCC PART15 ClassB



Dimension in mm



Characteristics

Input Voltage Range: AC100-120V 60Hz (power factor measured at AC120V and full load)

Model No.	Constant output voltage	Load	Output current range	PF	Ta	Tc	L x W x H
SP60-12VFT(UL)	12V	0-60W	0-5A	≥0.95	40°C	85°C	217.3x60.4x21.2
SP60-24VFT(UL)	24V	0-60W	0-2.5A	≥0.95	40°C	85°C	217.3x60.4x21.2
SP80-12VFT(UL)	12V	0-80W	0-6.67A	≥0.95	40°C	90°C	217.3x60.4x21.2
SP80-24VFT(UL)	24V	0-80W	0-3.33A	≥0.95	40°C	90°C	217.3x60.4x21.2



UL Series

SD96-VLP(UE)/SD200-VLP(UE)
SD300-VLP(UE)

NEW!



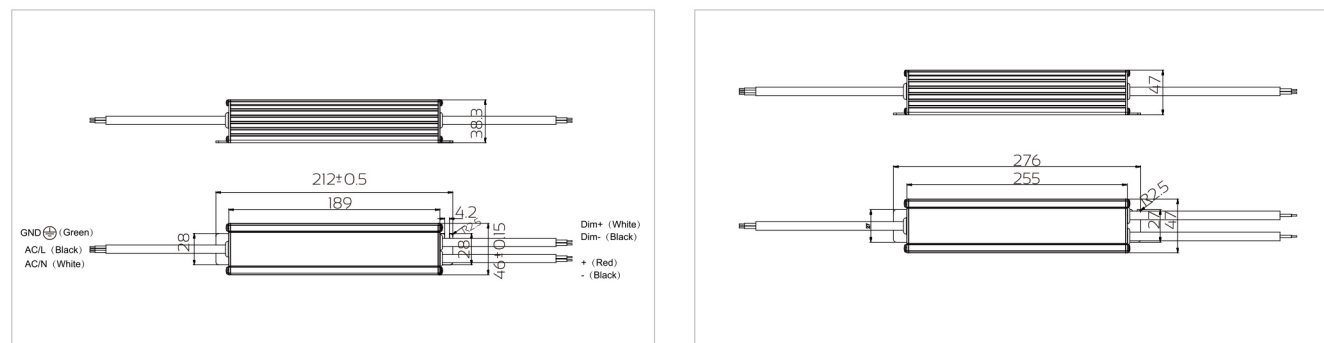
Reliable Technical Data

- Input Voltage Range:120-277VAC
- Input Frequency:50/60Hz
- Output Power:96W/200W//300W
- Body: Aluminum
- Open Circuit; Short Circuit; Over Load;
- Safety According to EN61347-1, EN61347-2-13
- EMI According to EN55015
- EMS According to EN61000-3-2; EN61000-3-3; EN61547
- EMF According to EN62493
- ERP According to EU2019-2020
- Conforms to UL Std. 8750
- FCC PART15 ClassB

Input triac dimming, output 0-10V dimming



Dimension in mm



Characteristics

Input Voltage Range: AC120-277V 50/60Hz (power factor measured at AC230V and full load)

Model No.	Constant output voltage	Load	Max output current	PF	Ta	Tc	L x W x H	IP
SD96-24VLP(UE)	24V	0-96W	4A	≥0.95	45°C	90°C	212x46x38.3	IP67
SD200-24VLP(UE)	24V	0-200W	8.33A	≥0.9	45°C	85°C	256x78x47	IP67
SD300-24VLP(UE)	24V	0-300W	12.5A	≥0.9	45°C	85°C	276x78x47	IP67



UE Series



SNP60-VF-1(UL)

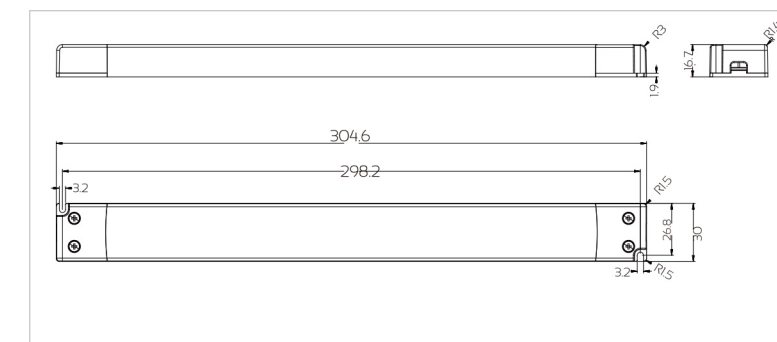


Reliable Technical Data

- Input Voltage Range:100-120VAC for North America only
200-240VAC for Europe only
- Input Frequency:50/60Hz
- Output Power:60W/75W
- Body: PC
- Open Circuit; Short Circuit; Over Load;
- Safety According to EN61347-1, EN61347-2-13
- EMI According to EN55015
- EMS According to EN61000-3-2; EN61000-3-3; EN61547
- EMF According to EN62493
- ERP According to EU2019-2020
- Conforms to UL Std. 8750
- FCC PART15 ClassB



Dimension in mm



Characteristics

Input Voltage Range: 100-120VAC for North America only 50/60Hz (power factor measured at AC120V and full load)
200-240VAC for Europe only 50/60Hz (power factor measured at AC230V and full load)

Model No.	Constant output voltage	Load	Max output current	PF	Ta	Tc	L x W x H
SNP60-12VF-1(UL)	12V	0-60W (AC100-120V)	5.0A	≥0.95	45°C	80°C	304.6x30x16.7
		0-75W (AC200-240V)	6.25A	≥0.9	45°C	85°C	304.6x30x16.7
SNP60-24VF-1(UL)	24V	0-60W (AC100-120V)	2.5A	≥0.95	45°C	80°C	304.6x30x16.7
		0-75W (AC200-240V)	3.125A	≥0.9	45°C	85°C	304.6x30x16.7



SL100-VF(UE)



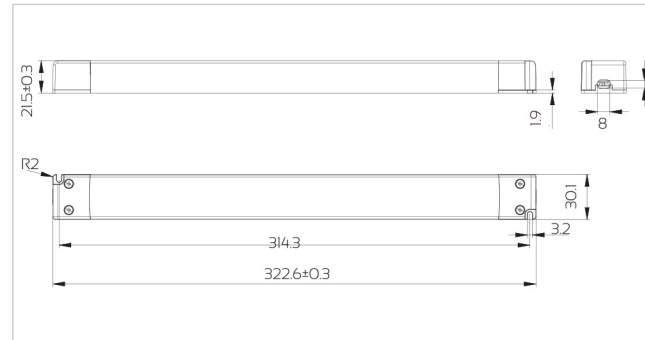
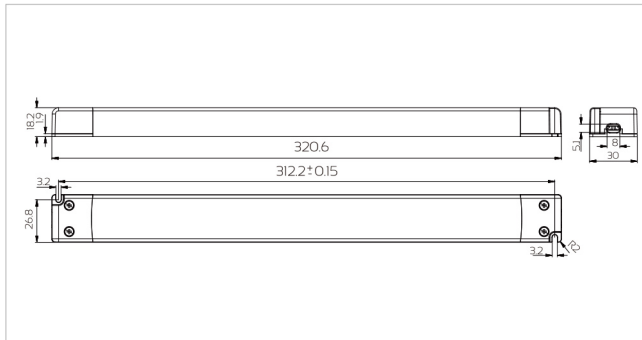
Reliable Technical Data

- Input Voltage Range:100-240VAC
- Input Frequency:50/60Hz
- Output Power:100W/150W
- Body: PC
- Open Circuit; Short Circuit; Over Load;
- Over Heat Protection
- Safety According to EN61347-1, EN61347-2-13, UL8750
- EMI According to EN55015, FCC PART ClassB
- EMS According to EN61000-3-2; EN61000-3-3; EN61547
- EMF According to EN62493
- ERP According to EU2019-2020
- Conforms to UL Std. 8750
- FCC PART15 ClassB

SL150-VF(UE)



Dimension in mm



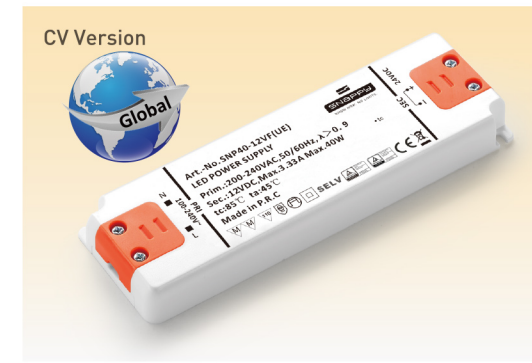
Characteristics

Input Voltage Range: AC100-240V 50/60Hz (power factor measured at AC230V and full load)

Model No.	Constant output voltage	Load	Max output current	PF	Ta	Tc	L x W x H
SL100-12VF(UE)	12V	0-100W	8.33A	≥0.9	45°C	90°C	320.6x30x18.2
SL100-24VF(UE)	24V	0-96W	4.16A	≥0.9	45°C	90°C	320.6x30x18.2
SL100-48VF(UE)	48V	0-100W	2.08A	≥0.9	45°C	90°C	320.6x30x18.2
SL150-12VF(UE)	12V	0-132W	11A	≥0.9	45°C	90°C	322.6x30.1x21.5
SL150-24VF(UE)	24V	0-150W	6.25A	≥0.9	45°C	90°C	322.6x30.1x21.5
SL150-48VF(UE)	48V	0-150W	3.125A	≥0.9	45°C	90°C	322.6x30.1x21.5



SNP30-VF(UE)/SNP40-VF(UE)

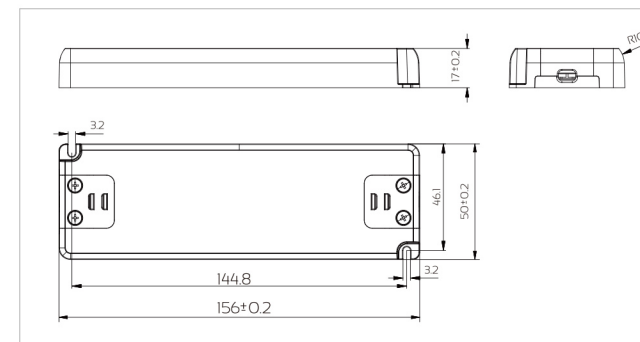


Reliable Technical Data

- Input Voltage Range:100-240VAC
- Input Frequency:50/60Hz
- Output Power:30W/40W
- Body: PC
- Open Circuit; Short Circuit; Over Load;
- Safety According to EN61347-1, EN61347-2-13
- EMI According to EN55015
- EMS According to EN61000-3-2; EN61000-3-3; EN61547
- EMF According to EN62493
- ERP According to EU2019-2020
- Conforms to UL Std. 8750
- FCC PART15 ClassB



Dimension in mm



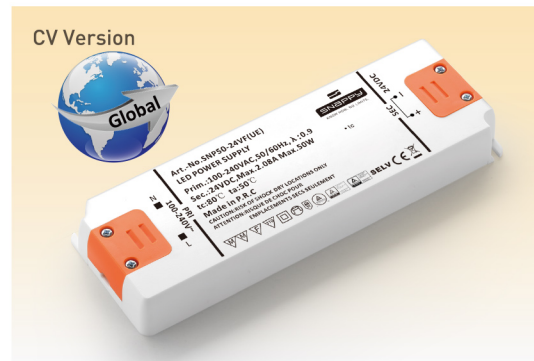
Characteristics

Input Voltage Range: AC100-240V 50/60Hz (power factor measured at AC230V and full load)

Model No.	Constant output voltage	Load	Max output current	PF	Ta	Tc	L x W x H
SNP30-12VF(UE)	12V	0-30W	2.5A	≥0.9	45°C	85°C	156x50x17
SNP30-24VF(UE)	24V	0-30W	1.25A	≥0.9	45°C	85°C	156x50x17
SNP40-12VF(UE)	12V	0-40W	3.33A	≥0.9	45°C	85°C	156x50x17
SNP40-24VF(UE)	24V	0-40W	1.67A	≥0.9	45°C	85°C	156x50x17



SNP60-VF(UE)

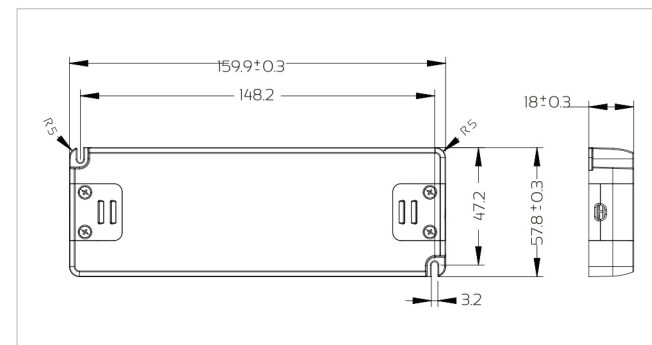


Reliable Technical Data

- Input Voltage Range:100-240VAC
- Input Frequency:50/60Hz
- Output Power:60W
- Body: PC
- Open Circuit; Short Circuit; Over Load;
- Safety According to EN61347-1, EN61347-2-13
- EMI According to EN55015
- EMS According to EN61000-3-2; EN61000-3-3; EN61547
- EMF According to EN62493
- ERP According to EU2019-2020
- Conforms to UL Std. 8750
- FCC PART15 ClassB



Dimension in mm



Characteristics

Input Voltage Range: AC100-240V 50/60Hz (power factor measured at AC230V and full load)

Model No.	Constant output voltage	Load	Max output current	PF	Ta	Tc	L x W x H
SNP60-12VF(UE)	12V	0-60W	5.0A	≥0.9	45°C	90°C	159.9x57.8x18
SNP60-24VF(UE)	24V	0-60W	2.5A	≥0.9	45°C	90°C	159.9x57.8x18



SNP75-VL(UE)

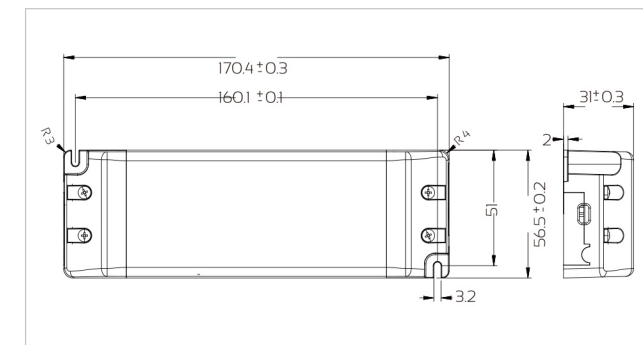


Reliable Technical Data

- Input Voltage Range:100-240VAC
- Input Frequency:50/60Hz
- Output Power:75W
- Body: PC
- Open Circuit; Short Circuit; Over Load;
- Safety According to EN61347-1, EN61347-2-13
- EMI According to EN55015
- EMS According to EN61000-3-2; EN61000-3-3; EN61547
- EMF According to EN62493
- ERP According to EU2019-2020
- Conforms to UL Std. 8750
- FCC PART15 ClassB



Dimension in mm



Characteristics

Input Voltage Range: AC100-240V 50/60Hz (power factor measured at AC230V and full load)

- 45°C - 80°C for Europe only
- 45°C - 75°C for North America only

Model No.	Constant output voltage	Load	Max output current	PF	Ta	Tc	L x W x H
SNP75-12VL(UE)	12V	0-75W	6.25A	>0.9	45°C	80°C/75°C	170.4x56.5x31
SNP75-24VL(UE)	24V	0-75W	3.125A	>0.9	45°C	80°C/75°C	170.4x56.5x31



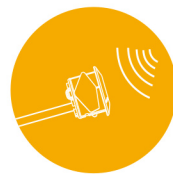
Sensor



Standard Dimmer



Wireless Remote



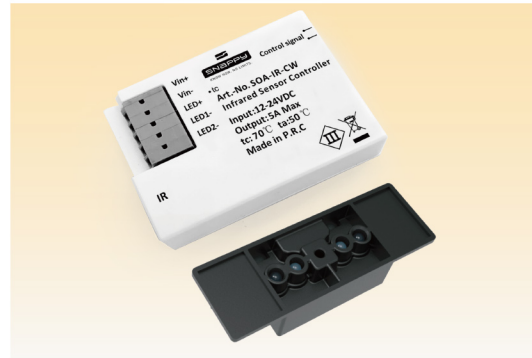
IR Sensor



PIR Sensor

IR Sensor(Low Voltage)

SOA-IR-CW +S107

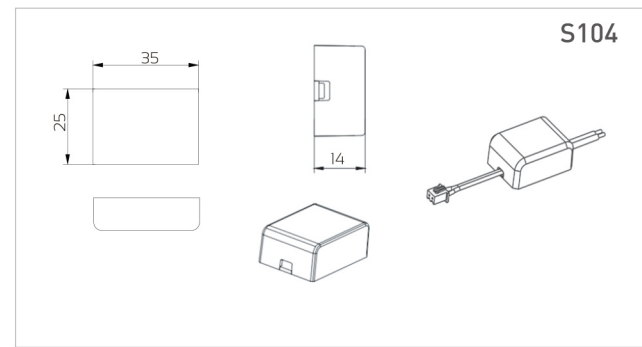
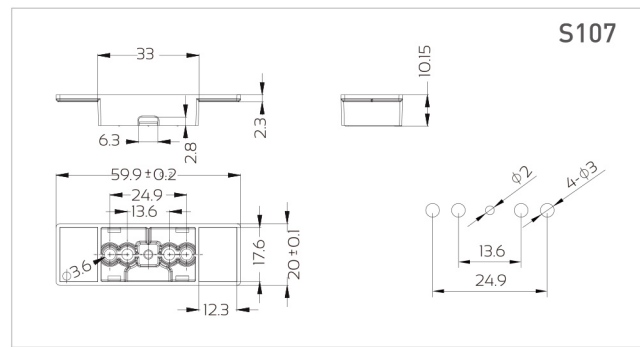


Reliable Technical Data

SOA-IR-CW is an infrared sensor, with 12V-24V input, which is often used for cabinet and mirror lights. The sensor has infrared induction, CCT adjustable function, memory function.



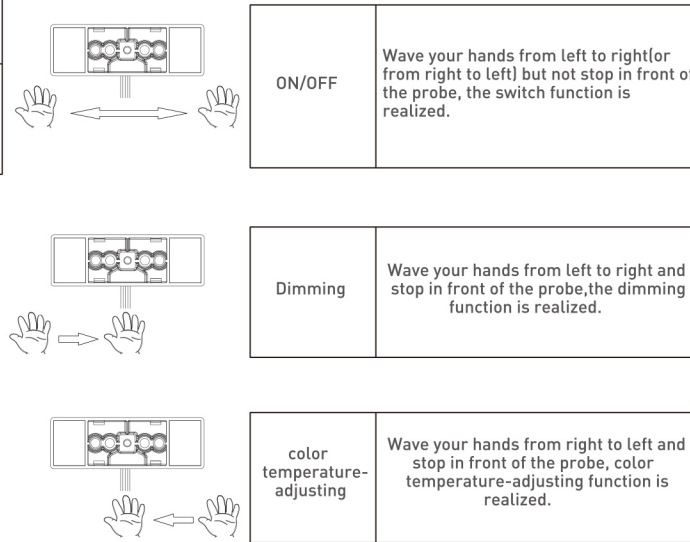
Dimension in mm



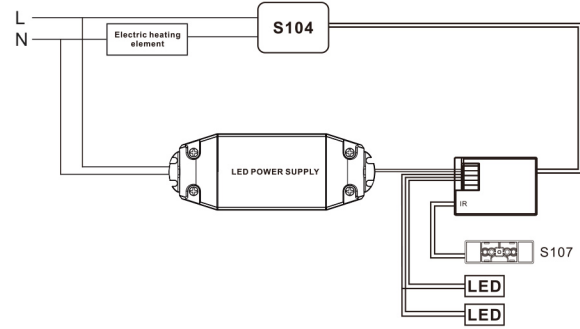
Function

1. The product with dimming, color temperature-adjusting and switching functions, decide to execute a command by recognizing a gesture, it with memory function after power off.

Sensor	Mirror thickness(L)	Max.sensor distance
S107	≤5mm	4-6cm



2. Defogging heating mode: the ON/OFF of electric heating element is synchronous with SOA-IR-CW via the S104

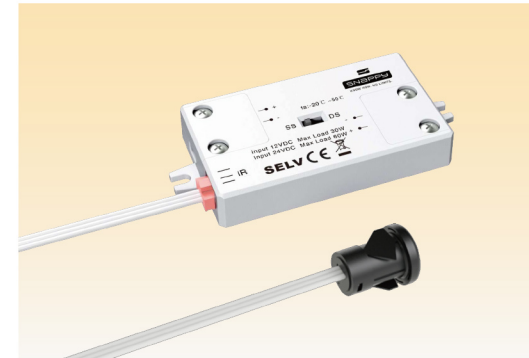


Model No.	Rated input voltage	Rated output current	Load	Ta	L x W x H
SOA-IR-CW	DC 12V	5A	0-60W	-20-50°C	60.3x42.1x13.4
	DC 24V	5A	0-120W	-20-50°C	60.3x42.1x13.4



IR Sensor(Low Voltage)

SOA-IR



Reliable Technical Data

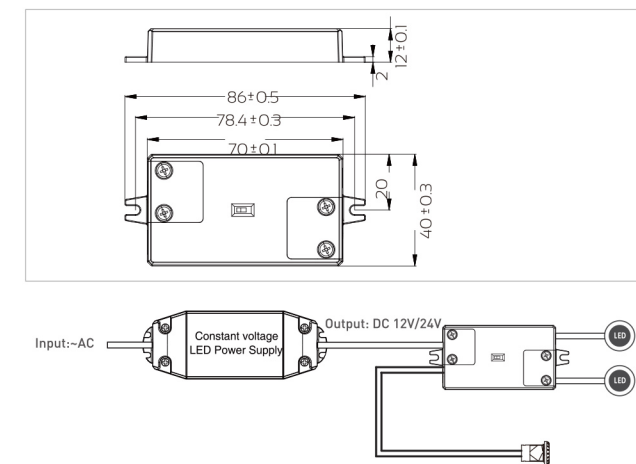
IR sensor
Detection range: 5-10cm is recommended
Selectable output connection: terminal block and mini plug



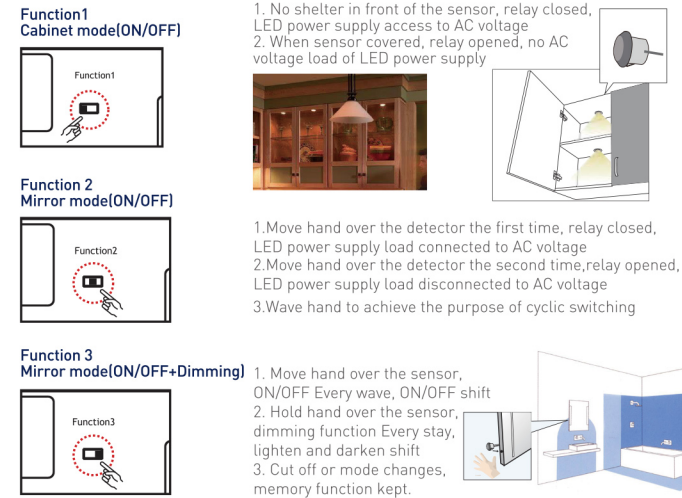
Sensor (Options)

Sensor	Dimension(mm)	Hole opening diameter(D)	Board thickness(L)	Attentions	Options
S101		∅14mm	< 10mm	—	Standard
S102		∅13mm	> 1mm	—	Optional
S102-1		∅13mm	> 1mm	—	Optional
S105		—	≤ 5mm	—	Optional

Dimension in mm



Application



Model No.	Rated input voltage	Rated output current	Load	Ta	L x W x H
SOA-IR	DC 12V	5A	0-60W	-20-50°C	86x40x12
	DC 24V	5A	0-120W	-20-50°C	86x40x12



IR Sensor(Line Voltage)

SIK-IR



Reliable Technical Data

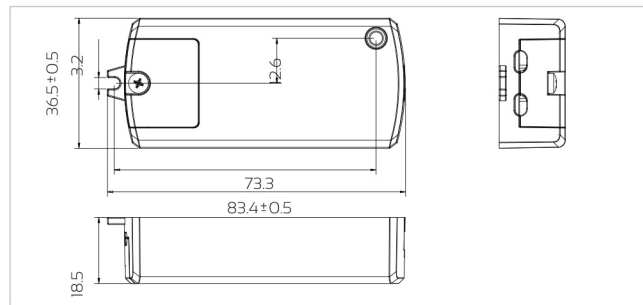
- IR sensor
- Detection range: 5-10cm is recommended



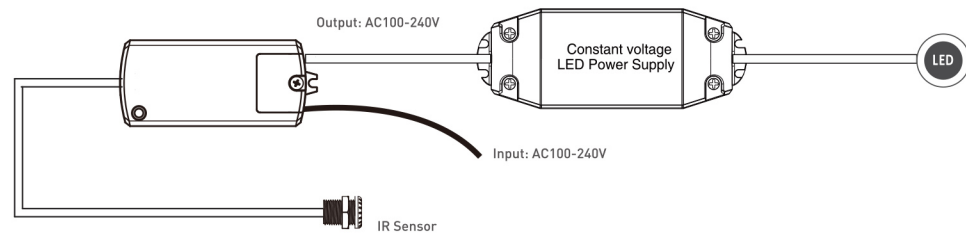
Sensor (Options)

Sensor	Dimension(mm)	Hole opening diameter(D)	Board thickness(L)	Attentions	Options
S101		∅14mm	< 10mm	5-10cm	Standard
S102		∅13mm	> 1mm	5-10cm	Optional
S102-1		∅13mm	> 1mm	5-10cm	Optional

Dimension in mm



Application



Model No.	Rated input voltage	Max.Load Power	Rated current	Standby Power Consumption	Ta	L x W x H
SIK-IR	AC100-240V	250VA	Max.1A	<0.5W	-20-50°C	83.4x36.5x18.5



SIM-IR



Reliable Technical Data

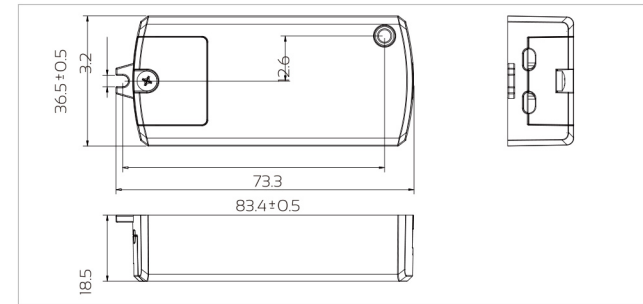
- IR sensor
- Detection range: 5-10cm is recommended



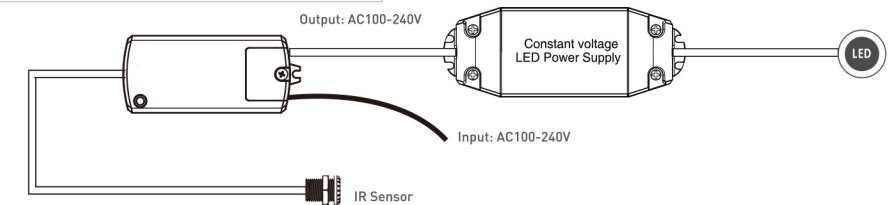
Sensor (Options)

Sensor	Dimension(mm)	Hole opening diameter(D)	Board thickness(L)	Attentions	Options
S101		∅14mm	< 10mm	5-10cm	Standard
S102		∅13mm	> 1mm	5-10cm	Optional
S102-1		∅13mm	> 1mm	5-10cm	Optional
S105		—	≤ 5mm	4-6cm	Optional

Dimension in mm



Application

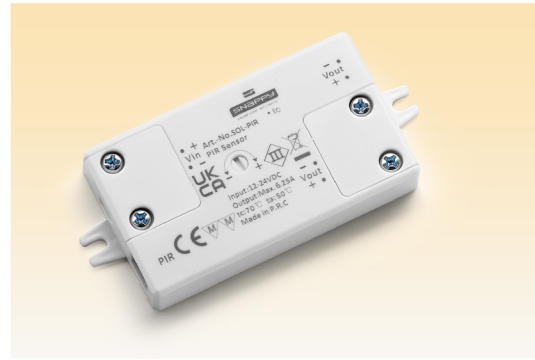


Model No.	Rated input voltage	Max.Load Power	Rated current	Standby Power Consumption	Ta	L x W x H
SIM-IR	AC100-240V	250VA	Max.1A	<0.5W	-20-50°C	83.4x36.5x18.5



PIR Sensor(Low Voltage)

SOL-PIR

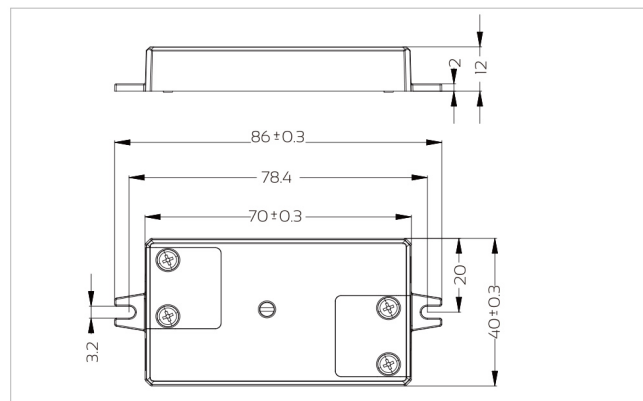


Reliable Technical Data

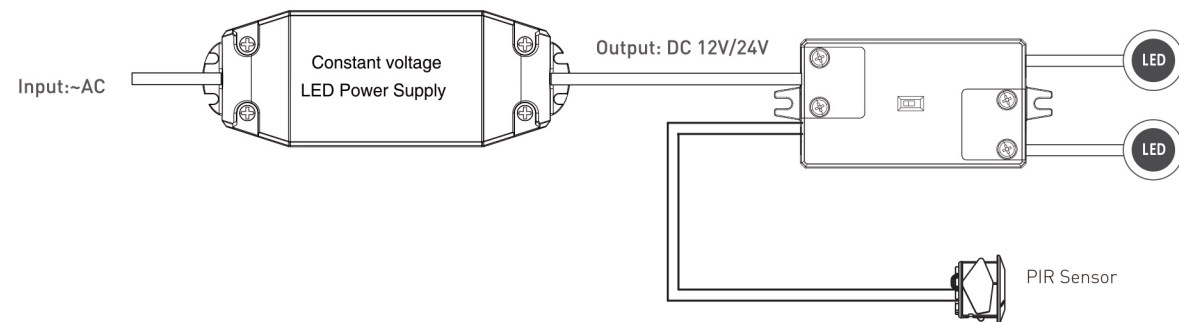
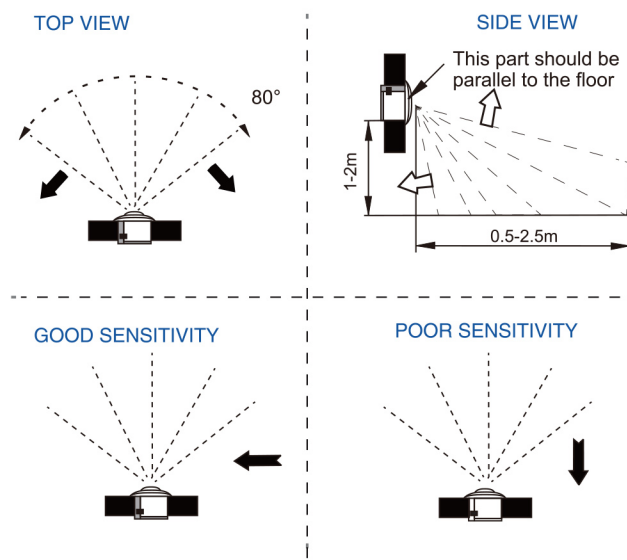
- Human-body detection sensor
- Detection range: Max. 2.5m(98-7/16")
- Detection angle: 80°
- Detection time: 10sec-3min
- Selectable output connection: terminal block and mini plug



Dimension in mm



Application



Model No.	Rated input voltage	Rated output current	Load	Ta	L x W x H
SOL-PIR	DC 12V	6.25A	0-75W	-20-50°C	86x40x12
	DC 24V	6.25A	0-150W	-20-50°C	86x40x12



PIR Sensor(Line Voltage)

SIL-PIR

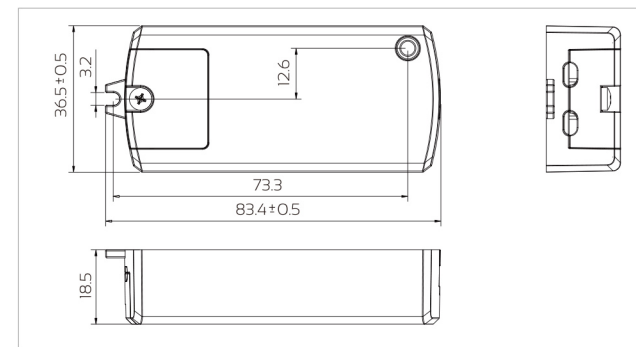


Reliable Technical Data

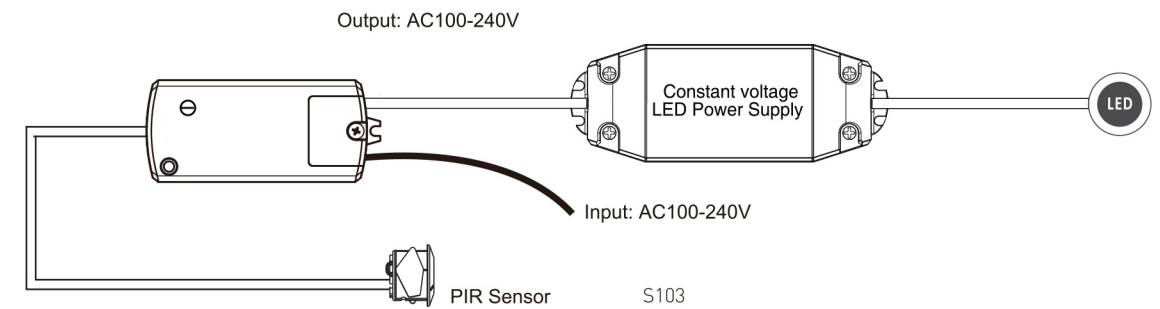
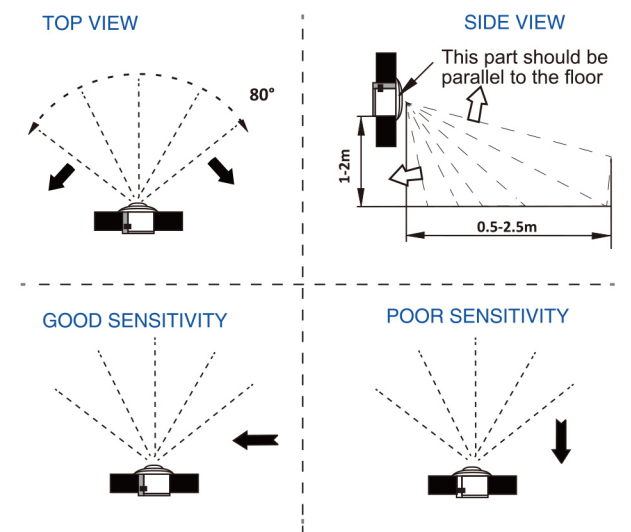
- Human-body detection sensor
- Detection range: Max. 2.5m
- Detection angle: 80°
- Detection time: 10sec-3min



Dimension in mm



Application

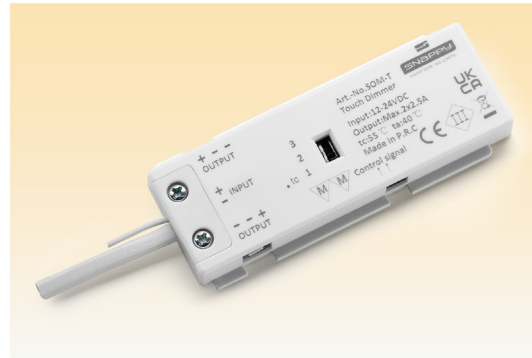


Model No.	Rated input voltage	Max.Load Power	Rated current	Standby Power Consumption	Ta	L x W x H
SIL-PIR	AC100-240V	250VA	Max.1A	<0.5W	-20-50°C	83.4x36.5x18.5



Touch Sensor(Low Voltage)

SOM-T/SOM-TB

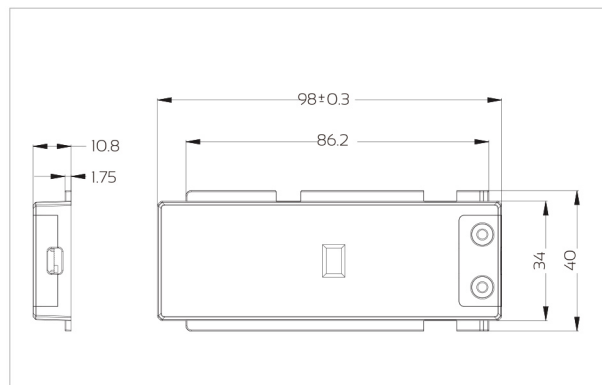


Reliable Technical Data

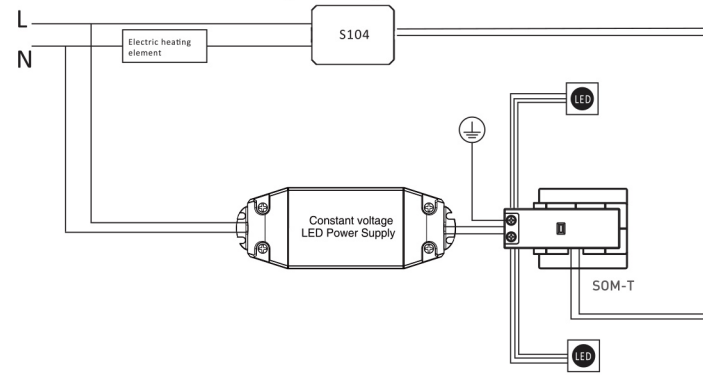
- Touch sensor
- Used behind mirror
- Memory function



Dimension in mm

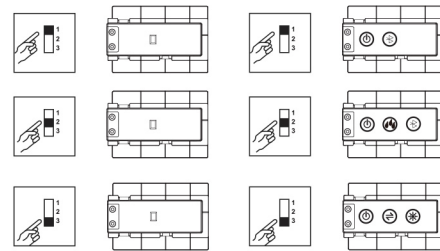
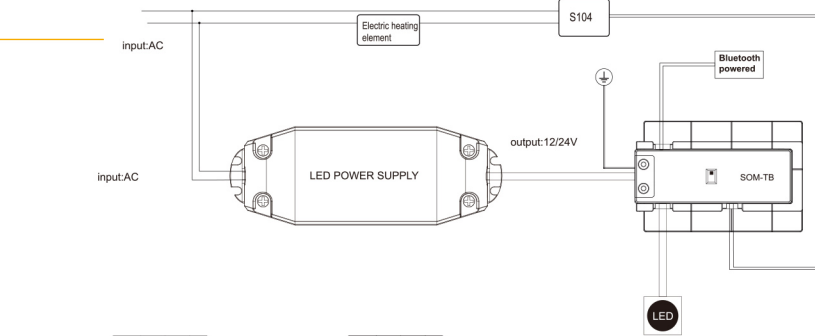


The ON/OFF of Electric heating element is Synchronous with SOM-T via the S104



Function:

- 1** Short touch[< 1s]: On/Off
Long touch[> 1s]: Dimming from 5%~100%
- 2** Short touch[< 1s]: On/Off
Long touch[> 1s]: Dimming from 5%~100%
- 3** Short touch[< 1s]: adjust CCT to cold white
nature white, warm white
Long touch[> 1s]: adjust CCT from cold white
to warm white
- 4** Short touch[< 1s]: On/Off
Short touch[< 1s]: adjust CCT to cold white
nature white, warm white
Long touch[> 1s]: adjust CCT from cold white
to warm white
- 5** Short touch[< 1s]: Dimming level 5%,30%,60%,100%
Long touch[> 1s]: Dimming from 5%~100%

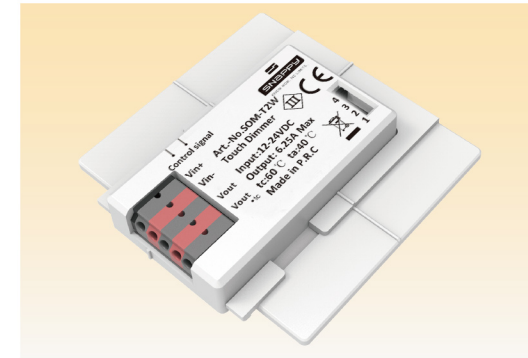


Model No.	Rated supply	Rated load	Thickness of mirror	Ta	L x W x H
SOM-T/SOM-TB	12V	2 x 30W	Less than 5mm is recommended	-20~40°C	98x40x10.8
	24V	2 x 60W			



SOM-T1 / SOM-T2W

NEW!

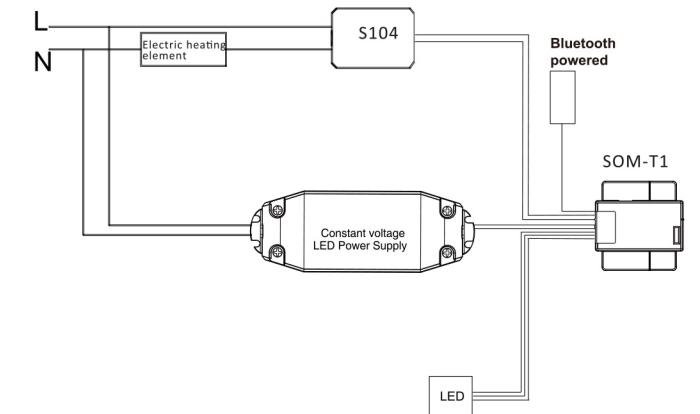
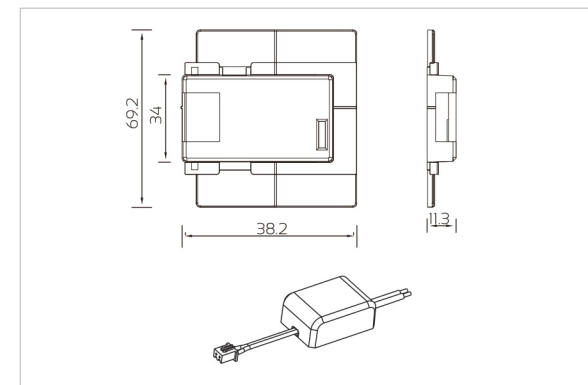


Reliable Technical Data

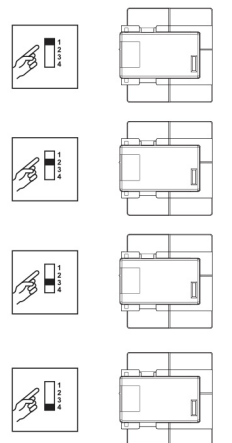
- Touch sensor
- Used behind mirror
- Memory function
- Single key touch



Dimension in mm



Setting	Touch time	Function	Indicator
1	Touch time<1S	ON/OFF(LED1)	CW
	Touch time>1S	ON/OFF(LED2),power on	WW
2	Touch time<1S	ON/OFF	CW
	Touch time>1S	Dimming from 10%~100% continuously	CW
3	Touch time<1S	ON/OFF	CW(OFF)
	Touch time>1S	Softly and continuously CCT(2%~98%)	WW
4	Touch time<1S	ON/OFF	CW(OFF)
	Touch twice times <2S	Shift between dimming and CCT	Shift between C-W
	Touch time>1S	Dimming from 10%~100% continuously	CW
		Softly and continuously CCT(2%~98%)	WW



Model No.	Rated supply	Rated load	Thickness of mirror	Ta
SOM-T1	12V	75W	Less than 5mm is recommended	-20~40°C
	24V	150W		
SOM-T2W	12-24V	0-300W	Less than 5mm is recommended	45°C

Two Cables Only



2.4G Remote Controller

SRC-2.4G01

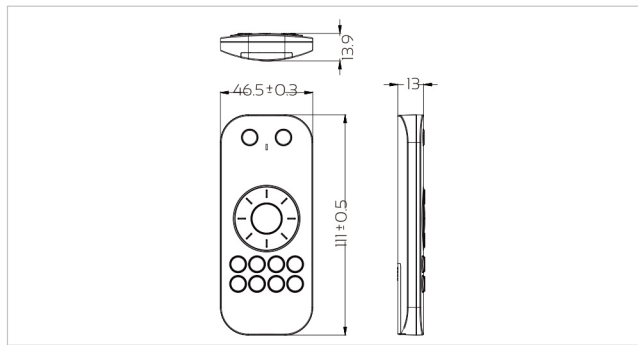


Reliable Technical Data

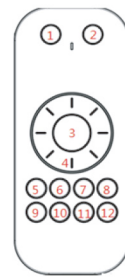
- Suitable for single-color LED controller
- Super Sensitive Ring Brightness Adjuster
- LED light indicator during operation
- Each controller can be paired with one or more remotes
- Powered by CR2032 button battery or equivalent
- 5 years Warranty
- Net weight 60g/pc, gross weight 100g/pc



Dimension in mm



Functions



- Key 1 All lights on
- Key 2 All lights off
- Key 3 Channel switch/channel dimming
Rotate counterclockwise: darken the channel;
Rotate clockwise: lighten the channel;
- Key 5 Channel 1 on/ off (long press)
- Key 6 Channel 2 on/ off (long press)
- Key 7 Channel 3 on/ off (long press)
- Key 8 Channel 4 on/ off (long press)
- Key 9 Scene 1 on/ sav(long press)
- Key 10 Scene 2 on/ sav(long press)
- Key 11 Scene 3 on/ sav(long press)
- Key 12 Scene 4 on/ sav(long press)

Indicator status

During the operation, including press the button and rotate the ring, the indicator light is on.
When the operation is stopped, the indicator light is off.
If there is no operation after 3S, the remote will be in the sleep mode, and press any key to exit the sleep mode.

Remote pairing

Users can choose two pairing/delete pairing methods
1. Use the pairing key [key 5 - key 8]

Pair: Short press the pairing button of the controller, then the LED light flashes 5 seconds and automatically cuts off. Immediately short press one of the pairing keys (key 5-key 8) on the remote, and the LED indicator cuts off which means the successful pairing.
Delete pairing: Long press the pairing button 5 seconds to delete all pairings. The LED indicator lights up for 1 second which means the pairing is deleted.

2. Use power-on

Pair: Within the first 5 seconds after the controller is powered on, immediately press one of the pairing keys (key 5-key 8) on the remote.
Delete pairing: Long press the pairing button 5 seconds to delete all pairings. The LED indicator lights up for 1 second which means the pairing is deleted.

Model No.	Output signal	Working Voltage	Ta	Working current	Standby current	L x W x H
SRC-2.4G01	RF (2.4GHz)	3VDC(CR2032)	-20~25°C	≤4mA	≤1uA	111x46.5x13.9



SNP75-2.4G

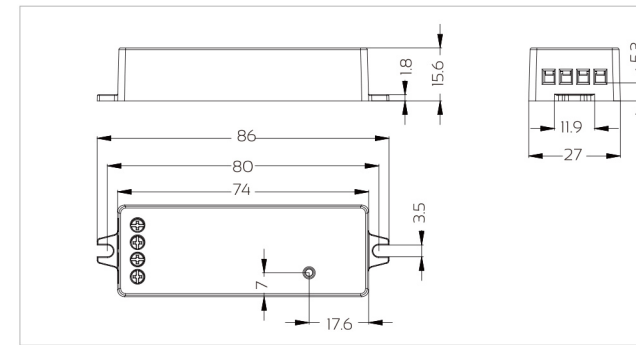


Reliable Technical Data

- SNP75-2.4G is a 2.4G dimming controller, remote dimming control, can be grouped, divided into scenes and other functions, the input is universally used in the 12-24V power supply range. With overload, over temperature, short circuit protection, suitable for lighting series products.



Dimension in mm



Remote control pairing

Users can choose two pairing/deleting methods
1. Use the pairing key [key 5 - key 8]

Pairing: Short press the pairing button of the controller, the LED flashes for 5 seconds and automatically goes off, immediately short press the key 5-key 8 on the remote control, and the LED indicator goes off to indicate successful pairing.
Delete: Press and hold the controller pairing button for 5 seconds to delete all the pairings. The LED indicator will be on for 1 second to indicate successful deletion

2. Use power-on pairing

Pairing: within the first 5 seconds after the controller is powered on, immediately press the up key 5-key 8 on the remote control.
Delete: Press and hold the controller pairing button for 5 seconds to delete all the pairings. The LED indicator will be on for 1 second to indicate successful deletion



Model No.	Output signal	Rated input voltage	Rated current	Ta	Tc	Max. distance	L x W x H
SNP75-2.4G	RF (2.4GHz)	DC12-24V	6.25A	-30~55°C	-80°C	≤ 30mm	86x27x15.6

